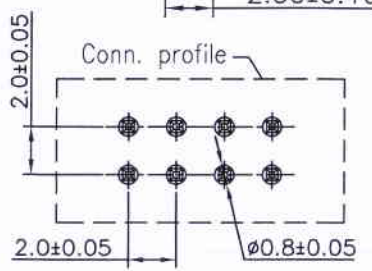
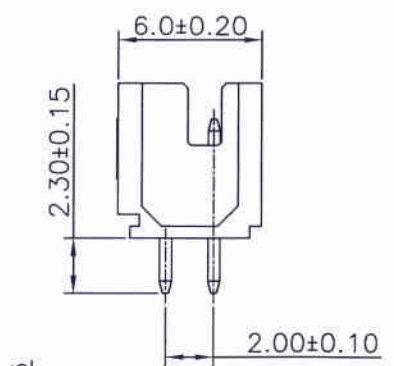
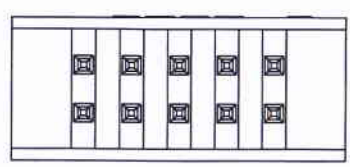
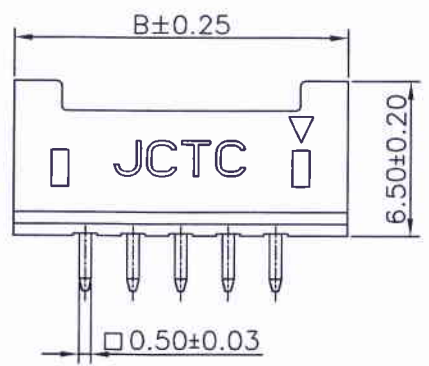
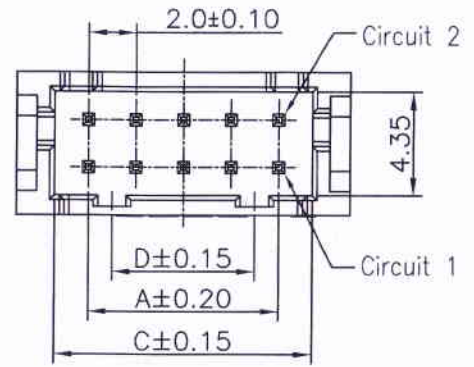


A  
B  
C  
D  
E  
F  
G

A  
B  
C  
D  
E  
F  
G



P.C.B. LAYOUT

Specifications:  
 Rated Voltage : 250V AC/DC  
 Rated Current : 3A AC,DC  
 Withstand Voltage : 1000V AC/minute  
 Contact Resistance : 10mΩ(Max.)  
 Insulation Resistance : 800MΩ(Min.)  
 Temperature Range : -25°C~+85°C  
 Contact: Brass/Matte Tin-plated  
 Brass/Matte 15u"Au  
 Insulator: High temperature plastic,UL94V-0  
 The product using material and processing must conform to the "WI-PZ-142"HSF technical standard control requirements

12002W00-2XNPX-B-XX-HF  
 ① ② ③ ④ ⑤ ⑥ ⑦  
 ① Series No.  
 ② W00 : Up Contact  
 ③ No. of Circuits  
 ④ X : Product color(A--Y)  
 Blank : Natural(Beige)  
 A : Black  
 ⑤ B: B TYPE  
 ⑥ 3E: Matte Tin-plated 5G : 15u"Au  
 ⑦ HF: Halogen Free

Circuits	Dimensions			
	A	B	C	D
2x3P	4.00	10.00	6.70	2.00
2x4P	6.00	12.00	8.70	4.00
2x5P	8.00	14.00	10.70	6.00
2x6P	10.00	16.00	12.70	8.00
2x7P	12.00	18.00	14.70	10.00
2x8P	14.00	20.00	16.70	12.00
2x9P	16.00	22.00	18.70	14.00
2x10P	18.00	24.00	20.70	16.00
2x11P	20.00	26.00	22.70	18.00
2x12P	22.00	28.00	24.70	20.00
2x13P	24.00	30.00	26.70	22.00
2x14P	26.00	32.00	28.70	24.00
2x15P	28.00	34.00	30.70	26.00
2x16P	30.00	36.00	32.70	28.00
2x17P	32.00	38.00	34.70	30.00
2x18P	34.00	40.00	36.70	32.00
2x19P	36.00	42.00	38.70	34.00
2x20P	38.00	44.00	40.70	36.00
2x21P	40.00	46.00	42.70	38.00
2x22P	42.00	48.00	44.70	40.00
2x23P	44.00	50.00	46.70	42.00
2x24P	46.00	52.00	48.70	44.00
2x25P	48.00	54.00	50.70	46.00



REV.	REVISION RECORD	DATE	GENERAL TOLERANCES	SCALE: 1:1	NAME	DATE	<b>JCTC</b> ® 胜蓝科技股份有限公司 TERMINAL&CONNECTORS 东莞市富智达电子科技有限公司 TITLE: 2.00mm PITCH DUAL ROW DIP TYPE 180° WAFER	PART. NO:
C0	新图面发行	13.07.04	LINEAR	APPROVED				12002W00-2xNPX-B-XX-HF
C1	增加黑色无卤规格	16.06.15	0.0±0.25	DESIGNER				DWG. NO:
C2	更新公司名称	17.01.03	0.00±0.15	DRAWN	张振坤	20.01.10		ENDE05
C3	WN2001100006	20.01.10	0.000±0.08				REV: C3 SHEET: 1/1	