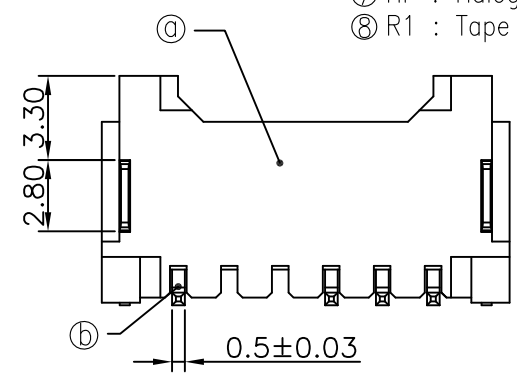
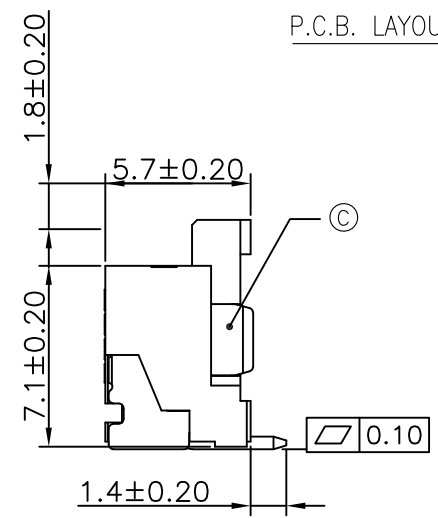
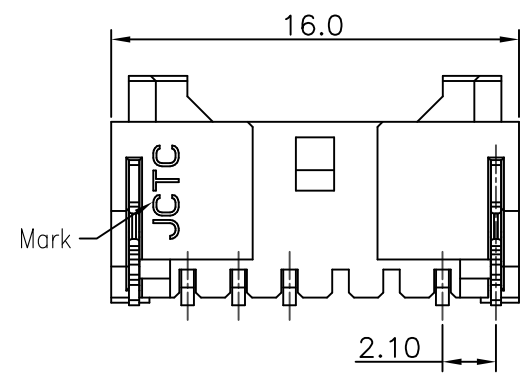
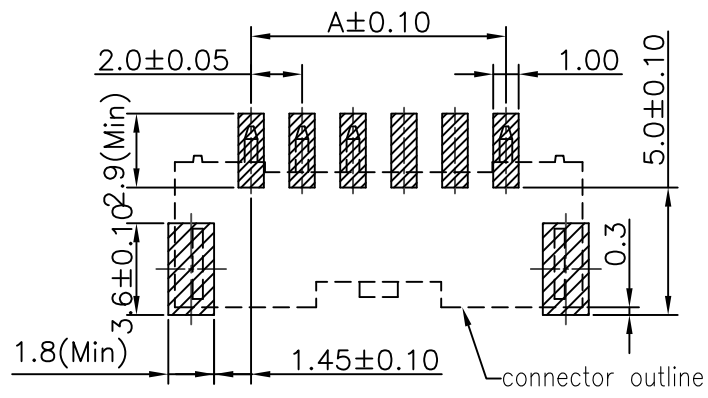
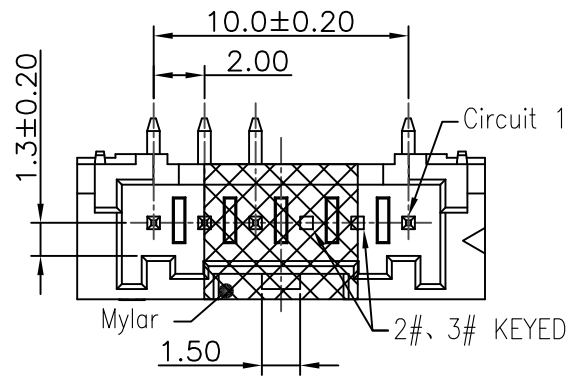


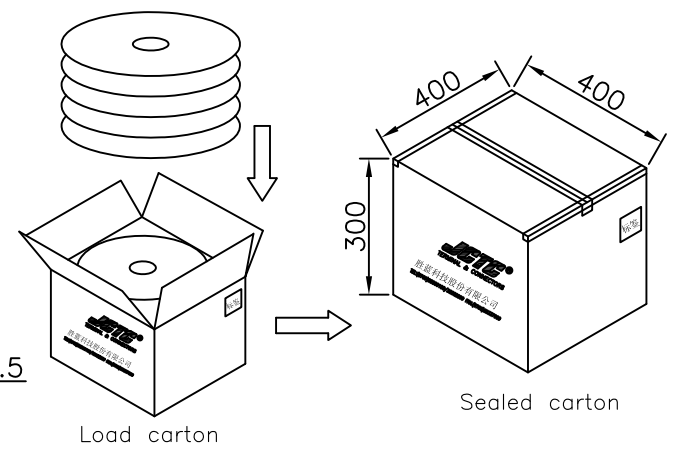
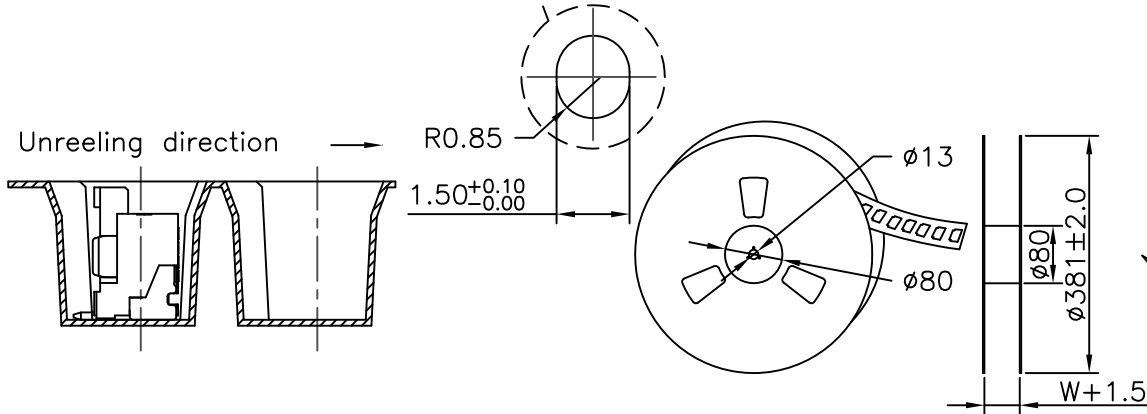
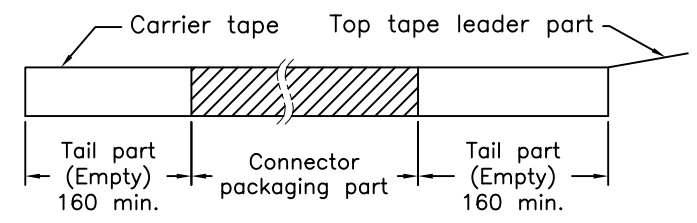
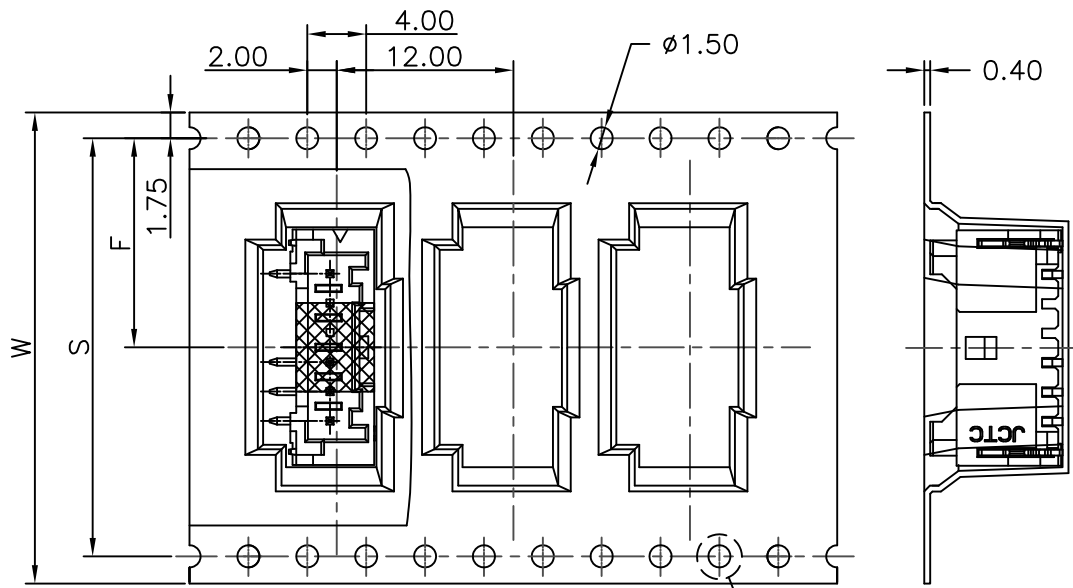
Specifications:
 Rated Voltage : 250V AC/DC
 Rated Current : 3A AC,DC
 Withstand Voltage : 800V AC/minute
 Contact Resistance : 10mΩ(MAX.)
 Insulation Resistance : 1000MΩ(MIN.)
 Temperature Range : -25°C~+85°C

12002W00-NP-SA-01-XX-R1
 ① ② ③ ④ ⑤ ⑥ ⑦ ⑧
 ① Series No.
 ② W90 : Side Contact
 W00 : Up Contact
 ③ No. of Circuits
 ④ S : SMT TYPE
 ⑤ A : A TYPE
 ⑥ 01 : 2#\3# KEYED
 ⑦ HF : Halogen Free
 ⑧ R1 : Tape & Reel(With Mylar)



No.	Description	Material	Color
a	Insulator	High temperature plastic,UL94V-0	Natural(Beige)
b	PIN	Brass/Tin-plated	--
c	Solder Tabs	Brass/Tin-plated	--
d	Mylar	Polyimide glue	Orange

REV.	REVISION RECORD	DATE	GENERAL TOLERANCES		SCALE:	NAME	DATE	JCTC ® 胜蓝科技股份有限公司 TERMINAL&CONNECTORS 东莞市富智达电子科技有限公司	PART. NO:
A0	新图面发行	21. 11. 12	LINEAR	ANGLES	1:1				12002W00-6P-SA-01-XX-R1
			0.00±0.25	X° REF±6°	APPROVED			DWG. NO:	
			0.00±0.15	X° ±3°	DESIGNER			ENDE05	
			0.000±0.08	X° X'±2°	DRAWN	Wu	21. 11. 12	TITLE: PA 2.00mm PITCH 180° SMT WAFER	
								REV: A0 SHEET: 1/2	



Number of Contacts	W±0.3	F±0.1	S±0.1	Q'ty/Reel
6P	32	14.20	28.40	750

REV.	REVISION RECORD	DATE	
A0	新图面发行	21. 11. 12	
			UNIT: MM
			SIZE: A4

GENERAL TOLERANCES		SCALE:	NAME	DATE
LINER	ANGLES	1:1		
0.0±0.25	X° REF±6°	APPROVED		
0.00±0.15	X° ±3°	DESIGNER		
0.000±0.08	X° X'±2°	DRAWN	Wu	21. 11. 12

JCTC® 胜蓝科技股份有限公司
 TERMINAL&CONNECTORS 东莞市富智达电子科技有限公司

TITLE: PA 2.00mm PITCH 180° SMT WAFER

PART. NO:	12002W00-6P-SA-01-XX-R1
DWG. NO:	ENDE05
REV:	A0
SHEET:	p3 2/2