

Circuits Part No	Dimensions		
	A	B	C
2P	--	8.00	0.78
3P	4.00	10.00	1.20
4P	6.00	12.00	1.50
5P	8.00	14.00	1.50
6P	10.00	16.00	1.50
7P	12.00	18.00	1.50
8P	14.00	20.00	1.50
9P	16.00	22.00	1.50
10P	18.00	24.00	7.60
11P	20.00	26.00	7.60
12P	22.00	28.00	7.60
13P	24.00	30.00	7.60
14P	26.00	32.00	7.60
15P	28.00	34.00	7.60
16P	30.00	36.00	7.60

Specifications:
 Rated Voltage : 250V AC/DC
 Rated Current : 3A AC,DC
 Withstand Voltage : 800V AC/minute
 Contact Resistance : 10mΩ(MAX.)
 Insulation Resistance : 1000MΩ(MIN.)
 Temperature Range : -25°C~+85°C
 The product using material and processing must conform to the "WI-PZ-142"HSF technical standard control requirements

- 12002W00-NP-SA-XX-HF-XX-R
 ① ② ③ ④ ⑤ ⑥ ⑦ ⑧ ⑨
- ① Series No.
 - ② W90 : Side Contact
 - ③ No. of Circuits
 - ④ S : SMT TYPE
 - ⑤ A : A TYPE
 - ⑥ Blank : Bright-Tin
 - 3E : Matte-Tin
 - ⑦ HF : Halogen Free
 - ⑧ NK : No Mark
 - ⑨ R : Tape & Reel(With Cap)



Part No.	Insulator	Cap	PIN/Solder Tabs
12002W00-NP-SA-HF-R	High temperature plastic, UL94V-0/Natural(Beige)	High temperature plastic, UL94V-0	Brass/Bright Tin-plated
12002W00-NP-SA-HF-NK-R			Brass/Bright Tin-plated
12002W00-NP-SA-3E-HF-NK-R			Brass/Matte Tin-plated

REV.	REVISION RECORD	DATE
A0	新图面发行	18.07.26

GENERAL TOLERANCES		SCALE:	NAME	DATE
LINEAR	ANGLES	1:1		
0.0±0.25	X° REF±6°	APPROVED		
0.00±0.15	X° ±3°	DESIGNER		18.11.20
0.000±0.08	X° X'±2°	DRAWN	伍文聪	18.07.26

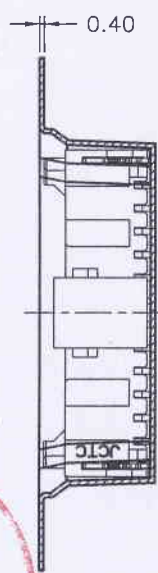
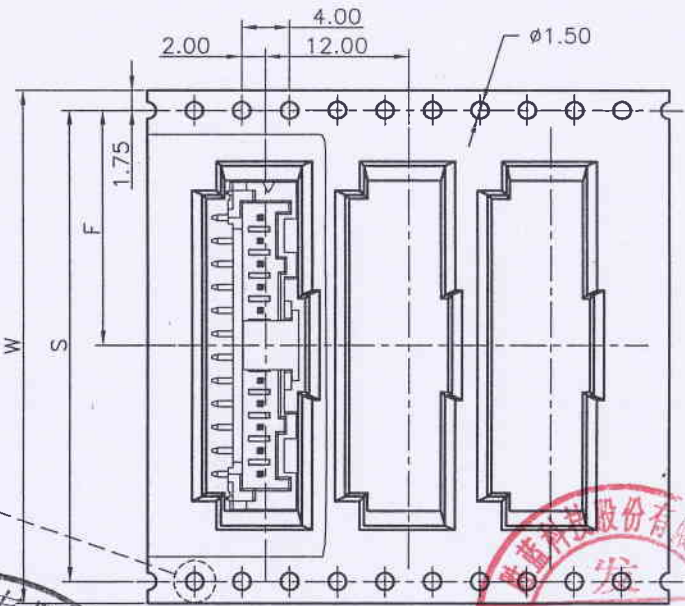
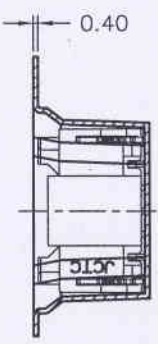
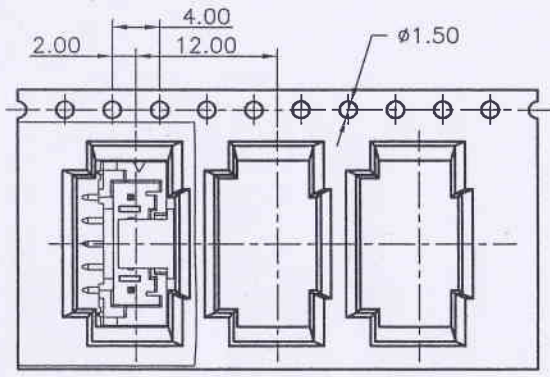
JCTC® 胜蓝科技股份有限公司
 TERMINAL&CONNECTORS 东莞市富智达电子科技有限公司

TITLE: PA 2.00mm PITCH 180° SMT WAFER

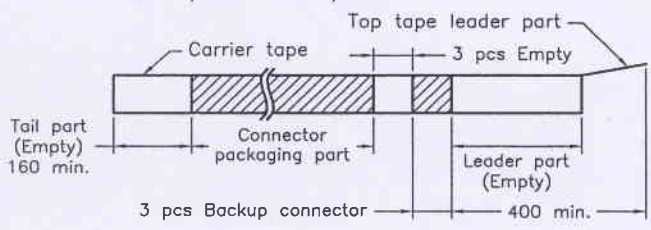
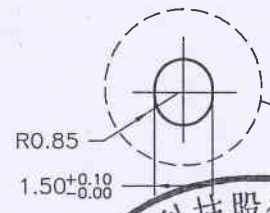
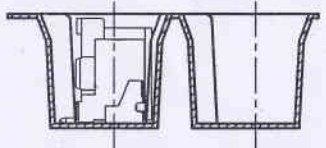
PART. NO:	12002W00-NP-SA-XX-HF-XX-R	
DWG. NO:	ENDE05	
REV:	A0	SHEET: 1/2

2~5 Contacts

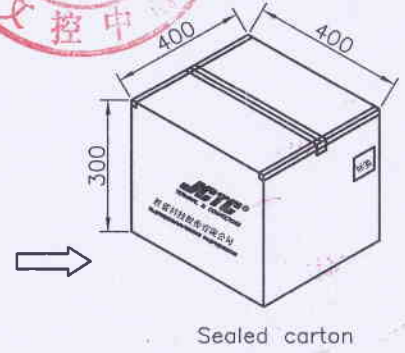
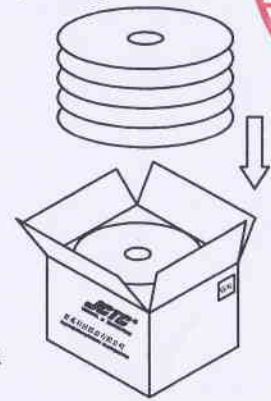
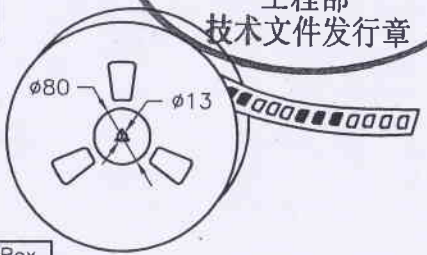
6~16 Contacts



Unreeling direction →



Unreeling direction



Number of Contacts	W±0.3	F±0.1	S±0.1	Q'ty/Reel	Q'ty/Box
2~5P	24	11.50		750pcs	7500pcs
6~8P	32	14.20	28.40	750pcs	6000pcs
9~13P	44	20.20	40.40	750pcs	4500pcs
14~15P	56	26.20	52.40	750pcs	3750pcs

REV.	REVISION RECORD	DATE	GENERAL TOLERANCES		SCALE:	NAME	DATE	PART. NO:
A0	新图面发行	18.07.26	LINEAR	ANGLES	1:1			
			0.0±0.25	X° REF±6°	APPROVED	[Signature]		DWG. NO:
			UNIT: MM	0.00±0.15	DESIGNER	[Signature]	18.11.20	ENDE05
			SIZE: A4	0.000±0.08	DRAWN	伍文聪	18.07.26	REV: A0 SHEET: 2/2
TITLE: PA 2.00mm PITCH 180° SMT WAFER								

JCTC® 胜蓝科技股份有限公司
TERMINAL&CONNECTORS 东莞市富智达电子科技有限公司