

Circuits Part No	Dimensions		
	A	B	C
2P	--	8.00	0.78
3P	4.00	10.00	1.20
4P	6.00	12.00	1.50
5P	8.00	14.00	1.50
6P	10.00	16.00	1.50
7P	12.00	18.00	1.50
8P	14.00	20.00	1.50
9P	16.00	22.00	1.50
10P	18.00	24.00	7.60
11P	20.00	26.00	7.60
12P	22.00	28.00	7.60

12002W00-NP-SA-NK-R2

① ② ③ ④ ⑤ ⑥ ⑦

- ① Series No.
- ② W90 : Side Contact
W00 : Up Contact
- ③ No. of Circuits
- ④ S : SMT TYPE
- ⑤ A : A TYPE
- ⑥ NK : No Mark
- ⑦ R2 : Tape & Reel(Without Cap)

Specifications:
 Rated Voltage : 250V AC/DC
 Rated Current : 3A AC,DC
 Withstand Voltage : 800V AC/minute
 Contact Resistance : 10mΩ(MAX.)
 Insulation Resistance : 1000MΩ(MIN.)
 Temperature Range : -25°C~+85°C
 The product using material and processing must conform to the "WI-PZ-142"HSF technical standard control requirements



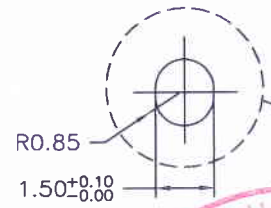
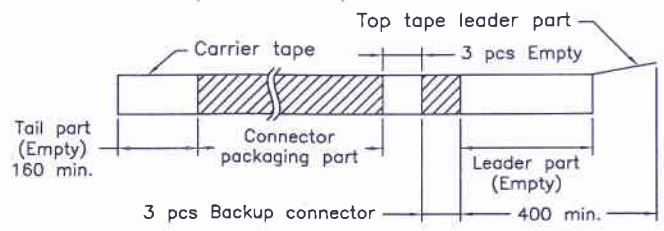
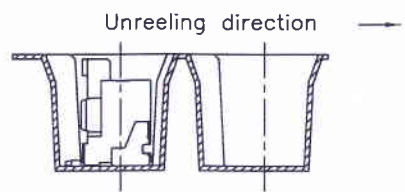
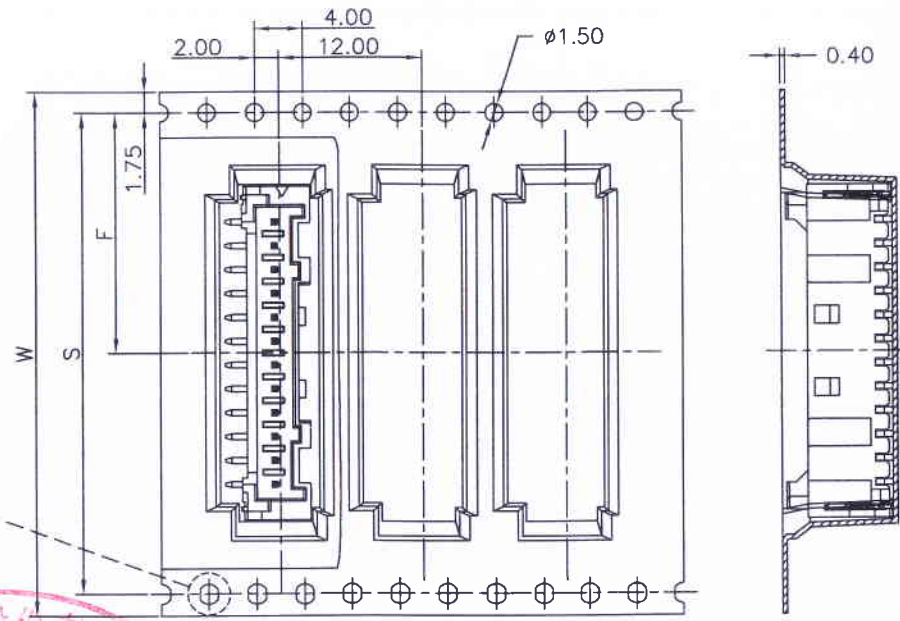
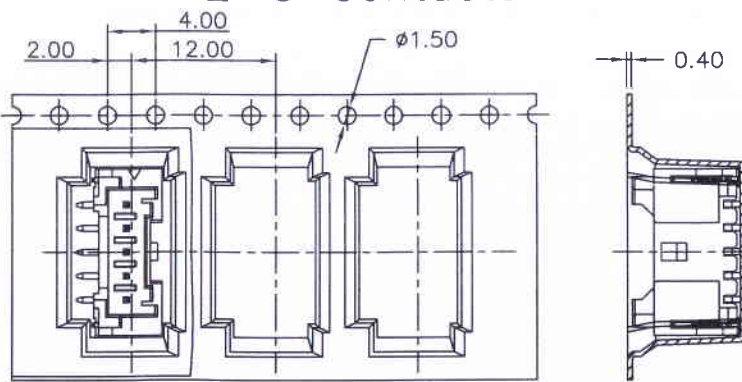
No.	Description	Material	Color
a	Insulator	High temperature plastic,UL94V-0	Natural(Beige)
b	PIN	Brass/Tin-plated	--
c	Solder Tabs	Brass/Tin-plated	--

REV.	REVISION RECORD	DATE	GENERAL TOLERANCES	SCALE:	NAME	DATE	PART. NO: 12002W00-NP-SA-NK-R2
AO	新图面发行	17.12.27	LINEAR 0.0±0.25	1:1	伍文聪	17.12.27	
			ANGLES X° REF±6°	APPROVED			REV: AO
			0.00±0.15 X° ±3°	DESIGNER			SHEET: 1/2
			UNIT: MM	DRAWN			
			SIZE: A4				
			0.000±0.08 X° X'±2°				

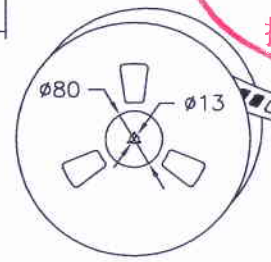
JCTC 胜蓝科技股份有限公司
 TERMINAL&CONNECTORS 东莞市富智达电子科技有限公司
 TITLE: PA 2.00mm PITCH 180° SMT WAFER

2~5 Contacts

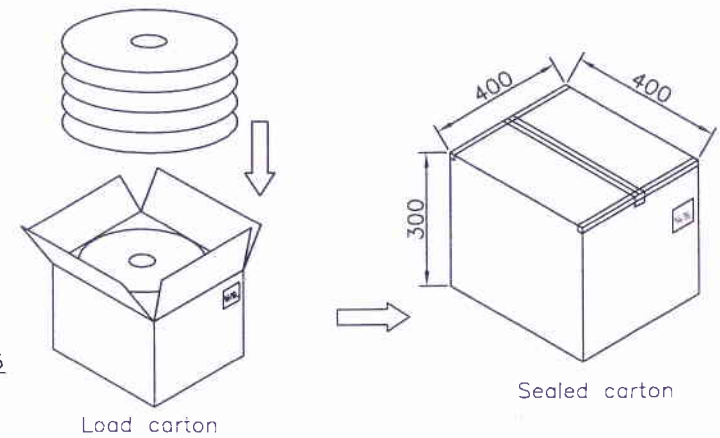
6~12 Contacts



胜蓝科技股份有限公司
2018.03.19
工程
技术文件发行章



Unreeling direction →



Number of Contacts	W±0.3	F±0.1	S±0.1	Q'ty/Reel	Q'ty/Box
2~5P	24	11.50		750pcs	7500pcs
6~8P	32	14.20	28.40	750pcs	6000pcs
9~12P	44	20.20	40.40	750pcs	4500pcs

REV.	REVISION RECORD	DATE	GENERAL TOLERANCES	SCALE:	NAME	DATE	PART. NO: 12002W00-NP-SA-NK-R2
A0	新图面发行	17.12.27	LINEAR 0.0±0.25	1:1	APPROVED: [Signature]	18.03.16	
			ANGLES X° REF±6°		DESIGNER: [Signature]		REV: A0
			UNIT: MM 0.00±0.15		DRAWN: 伍文聪	17.12.27	SHEET: 2/2
			SIZE: A4 0.000±0.08		TITLE: PA 2.00mm PITCH 180° SMT WAFER		

JCTC 胜蓝科技股份有限公司
TERMINAL & CONNECTORS 东莞市富智达电子科技有限公司