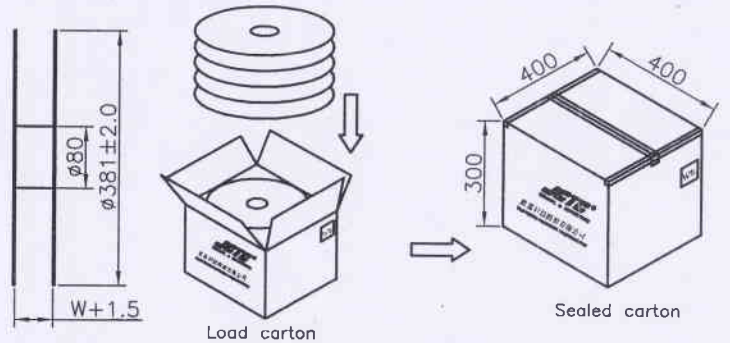
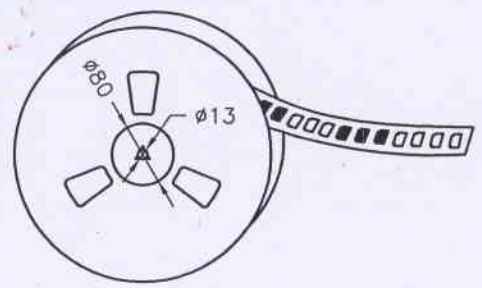
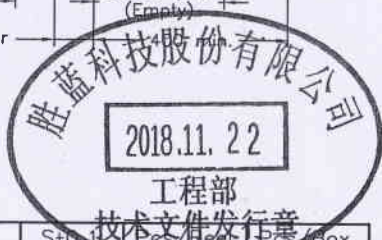
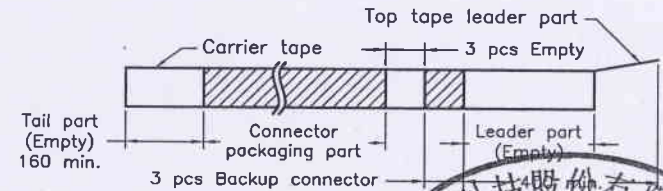
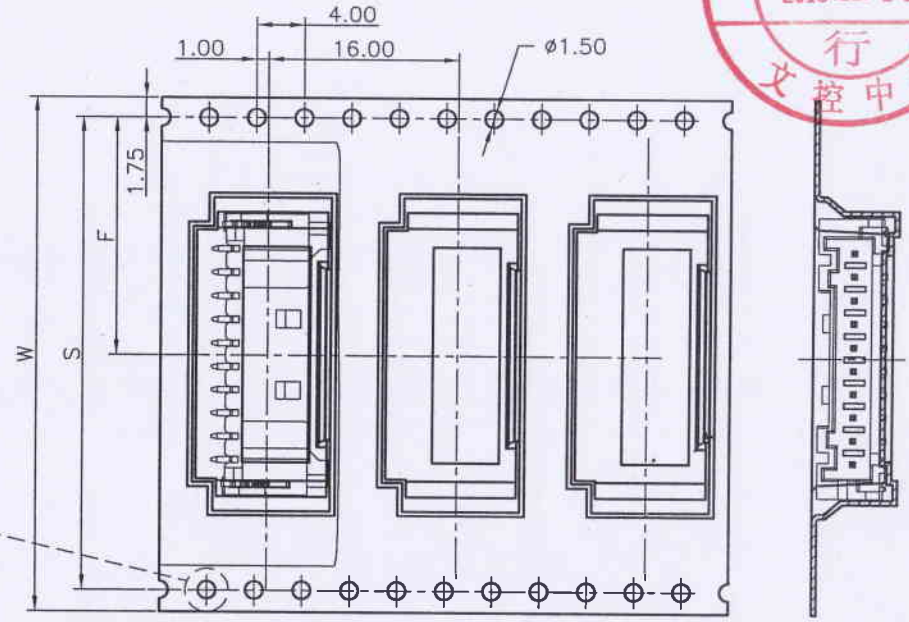
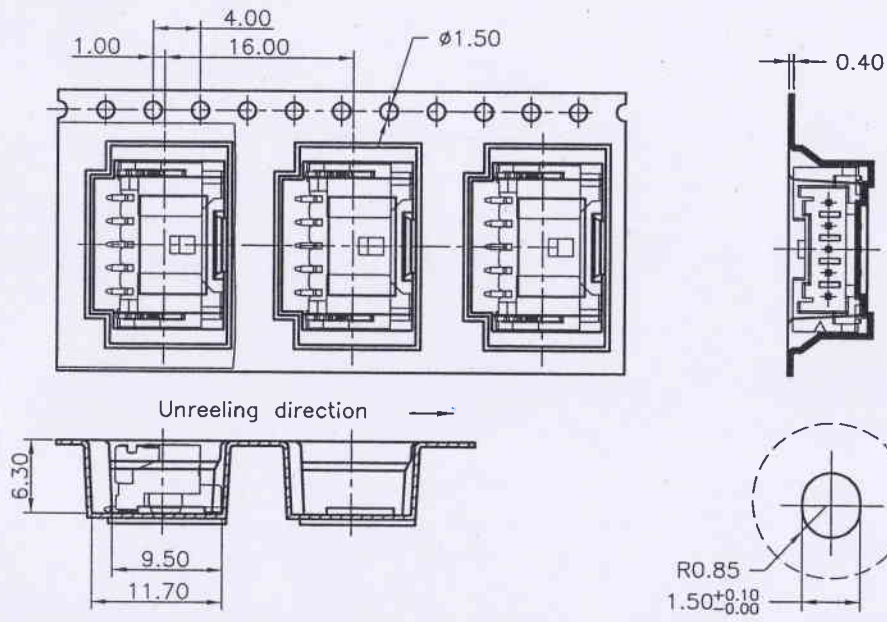




2~5 Contacts

6~12 Contacts



Number of Contacts	W±0.3	F±0.1	Slot	Stops	Pcs/Reel	Pcs/Box
2~5P	24	11.50			800	8000
6P, 7P	32	14.20	28.40		800	6400
8~12P	44	20.20	40.40		800	4800

REV.	REVISION RECORD		DATE	UNIT: MM	SIZE: A4	GENERAL TOLERANCES		SCALE: 1:1	NAME	DATE	JCTC® 胜蓝科技股份有限公司 TERMINAL&CONNECTORS 东莞市富智达电子科技有限公司	PART NO:	
	新图面发行					18.11.15	LINEAR					ANGLES	12002W90-NPX-SA-XX-HF-NK-R
A0						0.0±0.25	X° REF±6°	APPROVED				DWG. NO:	
						0.00±0.15	X° ±3°	DESIGNER				ENDE05	
						0.000±0.08	X° X'±2°	DRAWN	伍文聪	18.11.15	TITLE:	PA 2.00mm PITCH 90° SMT WAFER	
												REV: A0	SHEET: 2/2