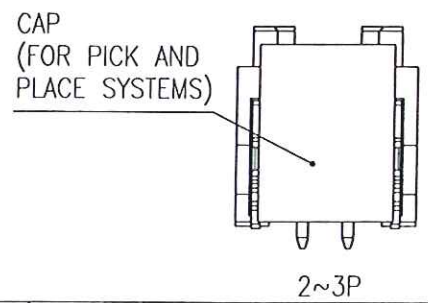


Circuits Part No	Dimensions		
	A	B	C
2P	--	8.00	0.78
3P	4.00	10.00	1.20
4P	6.00	12.00	1.50
5P	8.00	14.00	1.50
6P	10.00	16.00	1.50
7P	12.00	18.00	1.50
8P	14.00	20.00	1.50
9P	16.00	22.00	1.50
10P	18.00	24.00	7.60
11P	20.00	26.00	7.60
12P	22.00	28.00	7.60



Specifications:
 Rated Voltage : 250V AC/DC
 Rated Current : 3A AC,DC
 Withstand Voltage : 800V AC/minute
 Contact Resistance : 10mΩ(MAX.)
 Insulation Resistance : 1000MΩ(MIN.)
 Temperature Range : -25°C~+85°C
 The product using material and processing must conform to the "WI-PZ-142"HSF technical standard control requirements

- 12002W90-NP-SA-R
 ① ② ③ ④ ⑤ ⑥
 ① Series No.
 ② W90 : Side Contact
 W00 : Up Contact
 ③ No. of Circuits
 ④ S : SMT TYPE
 ⑤ A : A TYPE
 ⑥ R : Tape & Reel

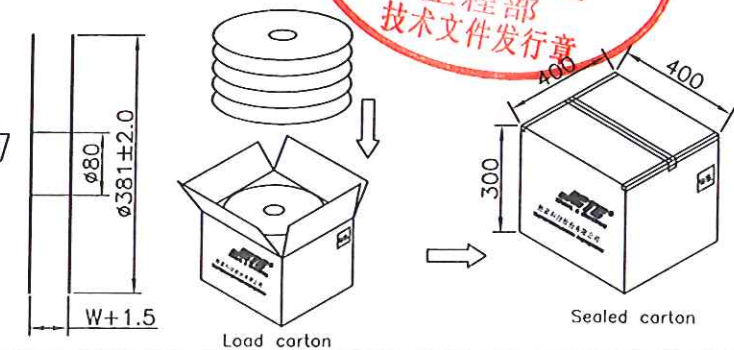
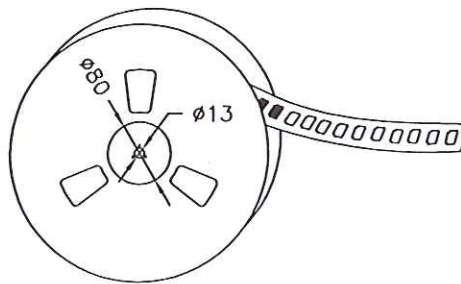
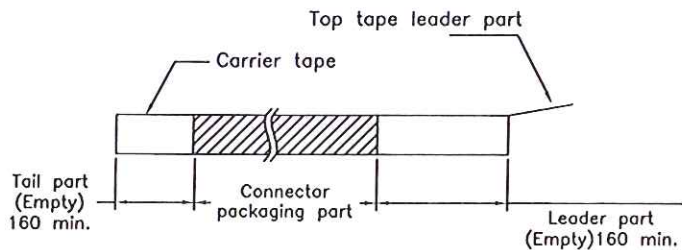
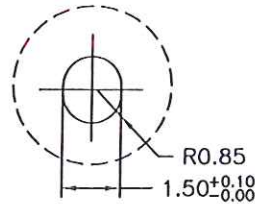
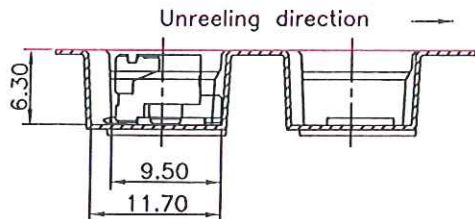
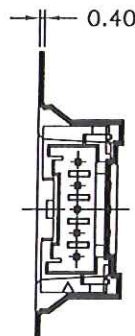
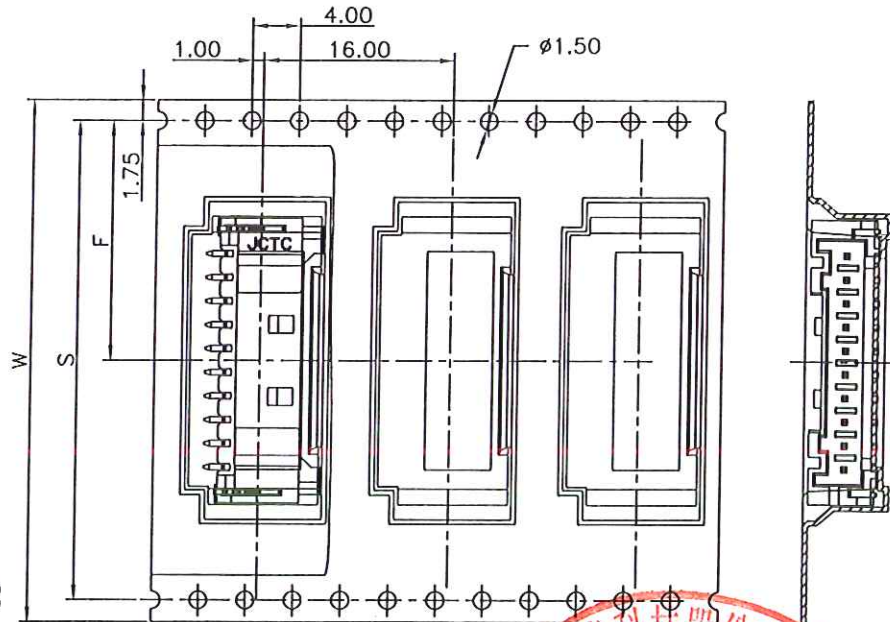
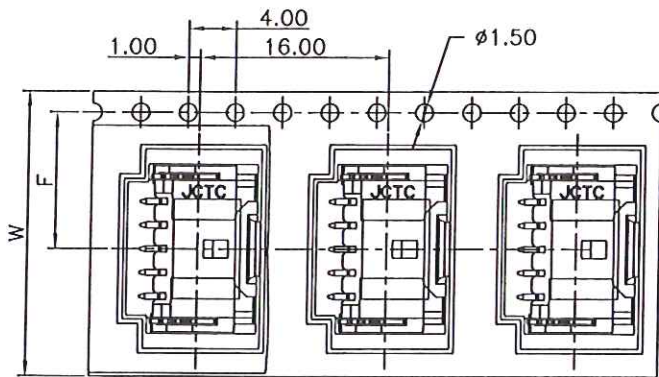


No.	Description	Material	Color
a	Insulator	Nylon 6T,UL94V-0	Natural(Beige)
b	PIN	Brass/Tin-plated	--
c	Solder Tabs	Brass/Tin-plated	--

REV.	REVISION RECORD	DATE	GENERAL TOLERANCES	SCALE: 1:1	NAME	DATE	PART. NO:	DWG. NO:	JCTC® TERMINAL&CONNECTORS
C0	新图面发行	11.06.25	LINEAR	APPROVED	张振坤	20.11.09	12002W90-NP-SA	ENDE05	
C1	WN1312270229	13.12.27	0.0±0.25	DESIGNER	张振坤	20.11.09	TITLE: PA 2.00mm PITCH 90° SMT WAFER	REV: C2	
C2	换图框发行	20.10.09	0.00±0.15	DRAWN	张振坤	20.11.09			SHEET: 1/2

2~5 Contacts

6~12 Contacts



Number of Contacts	W±0.3	F±0.1	S±0.1	Pcs/Reel	Pcs/Box
02P~05P	24	11.50	28.40	800	8000
06P~07P	32	14.20	40.40	800	6400
08P~12P	44	20.20	40.40	800	4800

REV.	REVISION RECORD	DATE	
C0	新图面发行	11.06.25	
C1	WN1312270229	13.12.27	
C2	换图框发行	20.11.09	

GENERAL TOLERANCES		SCALE:	NAME	DATE
LINEAR	ANGLES	1:1		
0.0±0.25	X° REF±6°	APPROVED		20.11.09
0.00±0.15	X° ±3°	DESIGNER	张振坤	20.11.09
0.000±0.08	X° X'±2°	DRAWN	张振坤	20.11.09

PART. NO:	DWG. NO:
12002W90-NP-SA	ENDE05
TITLE:	
PA 2.00mm PITCH 90° SMT WAFER	

JCTC®
 TERMINAL&CONNECTORS

REV: C2 SHEET: 2/2