

1

2

3

4

5

6

7

8

A

B

C

D

E

F

G

H

A

B

C

D

E

F

G

H

Specifications:

Rated Voltage : 250V AC/DC

Rated Current : 3A AC,DC

Withstand Voltage : 1000V AC/minute

Contact Resistance : 10mΩ(Max.)

Insulation Resistance : 800MΩ(Min.)

Temperature Range : -25°C~+85°C

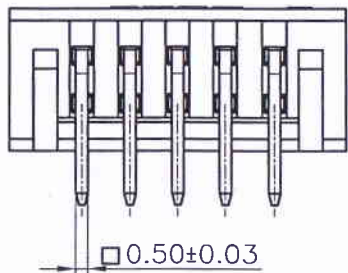
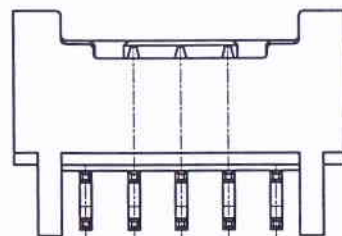
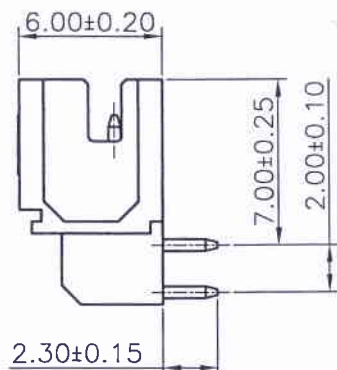
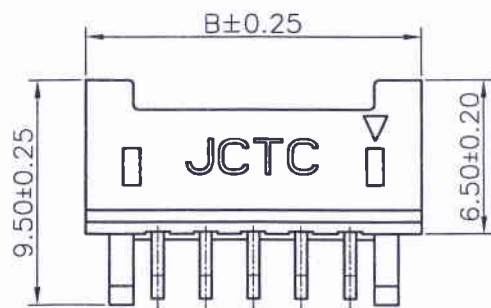
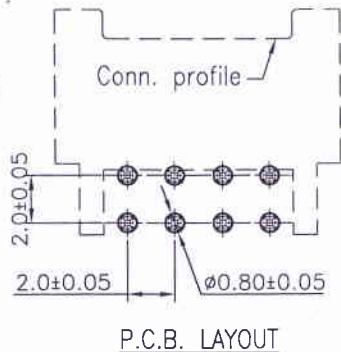
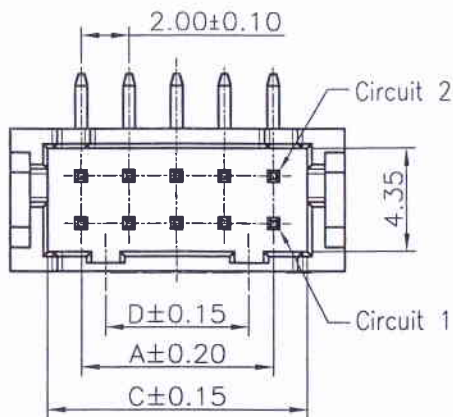
Contact: Brass/Matte Tin-plated

Insulator: High temperature plastic,UL94V-0

Halogen Free

Color: Natural(Beige)

The product using material and processing must conform to the "WI-PZ-142"HSF technical standard control requirements



12002W90-2XNP-B-3E-HF

① ② ③ ④ ⑤ ⑥

- ① Series No.
- ② W90 : Side Contact
- ③ No. of Circuits
- ④ B: B TYPE
- ⑤ 3E: Matte Tin-plated
- ⑥ HF: Halogen Free



Circuits	Dimensions			
	A	B	C	D
2x3P	4.00	10.00	6.70	2.00
2x4P	6.00	12.00	8.70	4.00
2x5P	8.00	14.00	10.70	6.00
2x6P	10.00	16.00	12.70	8.00
2x7P	12.00	18.00	14.70	10.00
2x8P	14.00	20.00	16.70	12.00
2x9P	16.00	22.00	18.70	14.00
2x10P	18.00	24.00	20.70	16.00
2x11P	20.00	26.00	22.70	18.00
2x12P	22.00	28.00	24.70	20.00
2x13P	24.00	30.00	26.70	22.00
2x14P	26.00	32.00	28.70	24.00
2x15P	28.00	34.00	30.70	26.00
2x16P	30.00	36.00	32.70	28.00
2x17P	32.00	38.00	34.70	30.00
2x18P	34.00	40.00	36.70	32.00
2x19P	36.00	42.00	38.70	34.00
2x20P	38.00	44.00	40.70	36.00
2x21P	40.00	46.00	42.70	38.00
2x22P	42.00	48.00	44.70	40.00
2x23P	44.00	50.00	46.70	42.00
2x24P	46.00	52.00	48.70	44.00
2x25P	48.00	54.00	50.70	46.00

REV.	REVISION RECORD	DATE	UNIT: MM	GENERAL TOLERANCES		SCALE: 1:1	NAME	DATE	PART. NO: 12002W90-2XNP-B-3E-HF
C0	新图面发行	13.07.04		LINEAR	ANGLES	APPROVED			
C1	更新公司名称	17.01.03	0.0±0.25	X° REF±6°	DESIGNER			REV: C1	
			0.00±0.15	X° ±3°	DRAWN	伍文聪	17.01.03	SHEET: 1/1	
			0.000±0.08	X° X'±2°					

1

2

3

4

5

6

7

8

JCTC® 胜蓝科技股份有限公司
TERMINAL&CONNECTORS 东莞市富智达电子科技有限公司

TITLE: 2.00mm PITCH DUAL ROW
DIP TYPE 90° WAFER