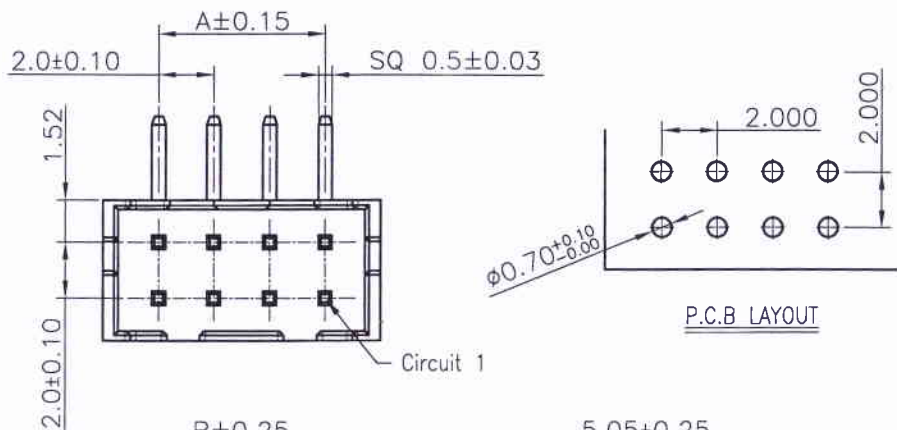


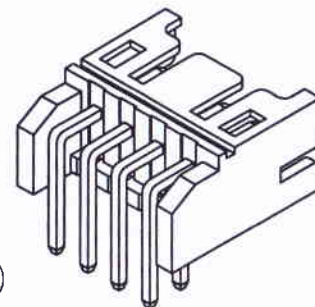
环保物料



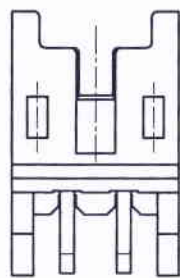
12002W90-2XNPX-HF

① ② ③ ④ ⑤

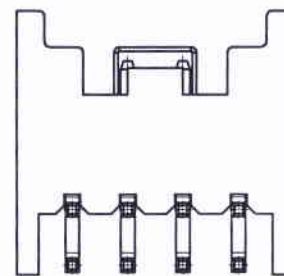
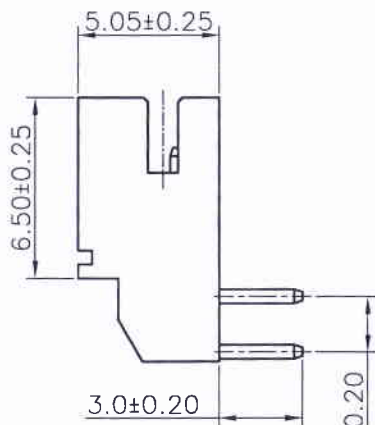
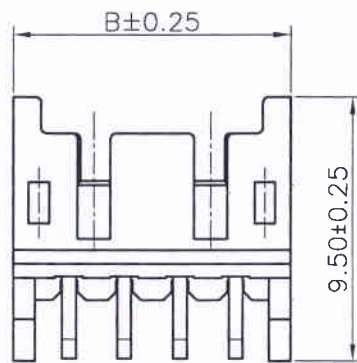
- ① Series No.
- ② W90 : Side Contact  
W00 : Up Contact
- ③ No. of Circuits
- ④ X : Product color(A--Y)  
Blank : Natural type
- ⑤ HF : Halogen Free



PART NO.	Dimensions	
	A	B
2x2	--	6.00
2x3	4.00	8.00
2x4	6.00	10.00
2x5	8.00	12.00
2x6	10.00	14.00
2x7	12.00	16.00
2x8	14.00	18.00
2x9	16.00	20.00
2x10	18.00	22.00
2x11	20.00	24.00
2x12	22.00	26.00
2x13	24.00	28.00
2x14	26.00	30.00
2x15	28.00	32.00
2x16	30.00	34.00
2x17	32.00	36.00
2x18	34.00	38.00
2x19	36.00	40.00
2x20	38.00	42.00



2P



Specifications:  
 Rated Voltage : 250V AC/DC  
 Rated Current : 3A AC,DC  
 Withstand Voltage : 800V AC/minute  
 Contact Resistance : 10mΩ(MAX.)  
 Insulation Resistance : 1000MΩ(MIN.)  
 Temperature Range : -25°C~+85°C



Part No.	Material	Color	PIN Material
12002W90-2XNP	Nylon 66,UL94V-0	灰色	Brass/Tin-plated
12002W90-2XNPJ	Nylon 66,UL94V-0	灰色	Brass/Tin-plated
12002W90-2XNP-HF	Nylon 66,UL94V-0	本色	Brass/Tin-plated

REV.	REVISION RECORD	DATE	UNIT: MM	SIZE: A4	GENERAL TOLERANCES		SCALE: 1:1	NAME	DATE
					L. LINEAR	ANGLES			
C0	新图面发行	09.11.25			0.0±0.25	X° REF±6°			
C1	TN1007150043	10.07.15			0.00±0.15	X° ±3°			
C2	HN1212280120	12.12.28			0.000±0.08	X° X'±2°			
C3	新增2xNPJ规格	16.05.30							

**JCTC**®  苏州伟聚  东莞胜景  
 TERMINAL&CONNECTORS  东莞胜蓝

TITLE: PHD双排 2.00mm PITCH WAFER

PART. NO:	12002W90-2XNPX-XX	
DWG. NO:	ENDE05	
REV:	C3	SHEET: 1/1