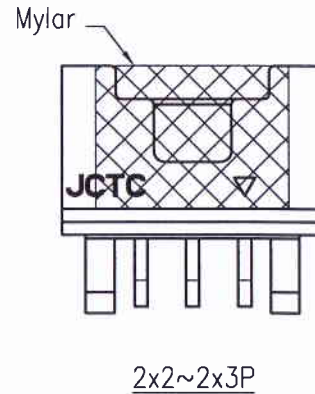
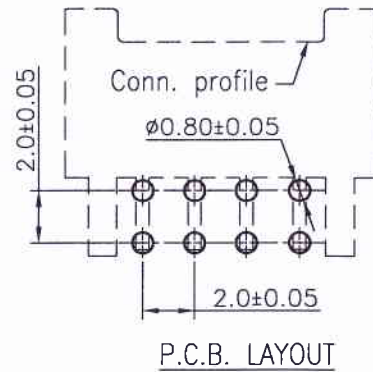
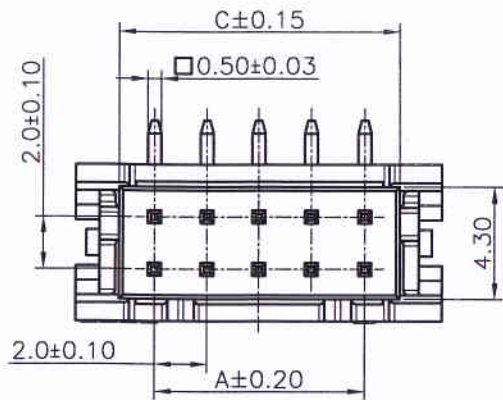
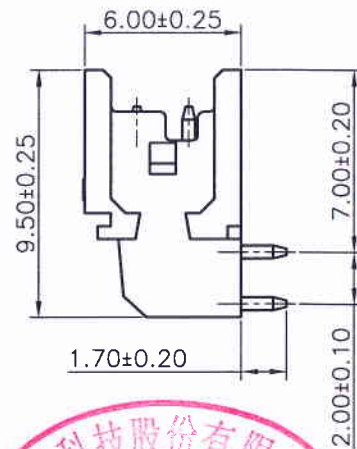
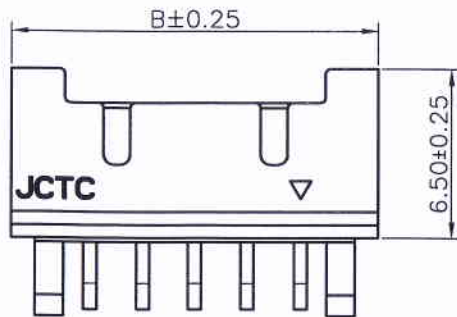


RoHS



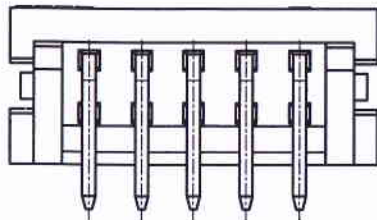
Specifications:
 Rated Voltage : 250V AC/DC
 Rated Current : 3A AC,DC
 Withstand Voltage : 1000V AC/minute
 Contact Resistance : 10mΩ(Max.)
 Insulation Resistance : 800MΩ(Min.)
 Temperature Range : -25°C~+85°C
 Contact: Brass/Matte Tin-plated
 Material: High temperature plastic,UL94V-0
 Halogen Free
 Color: Natural(Beige)

Circuits	Dimensions		
	A	B	C
2x2P	--	8.00	4.70
2x3P	4.00	10.00	6.70
2x4P	6.00	12.00	8.70
2x5P	8.00	14.00	10.70
2x6P	10.00	16.00	12.70
2x7P	12.00	18.00	14.70
2x8P	14.00	20.00	16.70
2x9P	16.00	22.00	18.70
2x10P	18.00	24.00	20.70
2x11P	20.00	26.00	22.70
2x12P	22.00	28.00	24.70
2x13P	24.00	30.00	26.70
2x14P	26.00	32.00	28.70
2x15P	28.00	34.00	30.70
2x16P	30.00	36.00	32.70
2x17P	32.00	38.00	34.70
2x18P	34.00	40.00	36.70
2x19P	36.00	42.00	38.70
2x20P	38.00	44.00	40.70
2x21P	40.00	46.00	42.70
2x22P	42.00	48.00	44.70



12002W90-2XNP-L-S3-HF-R
 ① ② ③ ④ ⑤ ⑥ ⑦

- ① Series No.
- ② W00 : Up Contact
- ③ No. of Circuits
- ④ L: Lock TYPE
- ⑤ S3: S3 TYPE
- ⑥ HF: Halogen Free
- ⑦ R: Tape & Reel



REV.	REVISION RECORD	DATE	GENERAL TOLERANCES	SCALE:	NAME	DATE	JCTC® 胜蓝科技股份有限公司 TERMINAL&CONNECTORS 东莞市富智达电子科技有限公司	PART. NO:
A0	新图面发行	16.11.02	LINEAR: 0.0±0.25 ANGLES: X° REF±6°	1:1	APPROVED: [Signature]	16.11.16		12002W90-2xNP-L-S3-HF-R
			UNIT: MM 0.00±0.15 SIZE: A4 0.000±0.08		DESIGNER: [Signature]	16.11.02	DWG. NO: ENDE05	
					DRAWN: 伍文聪	16.11.02	TITLE: 2.00mm PITCH DUAL ROW DIP TYPE 90° WAFER -- LOCK TYPE	REV: A0 SHEET: 1/2

