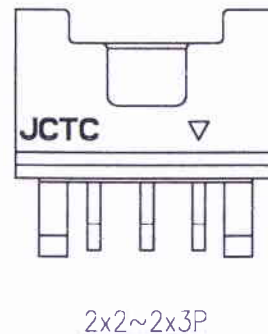
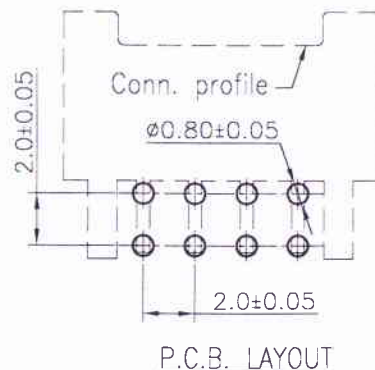
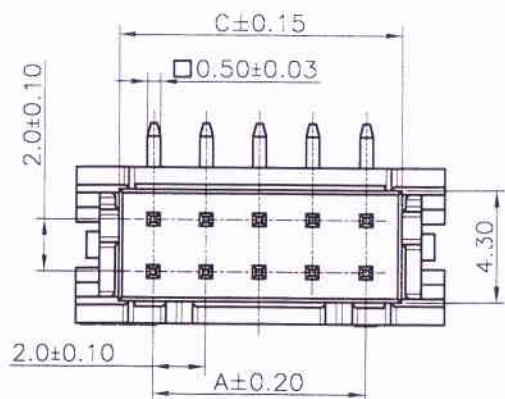
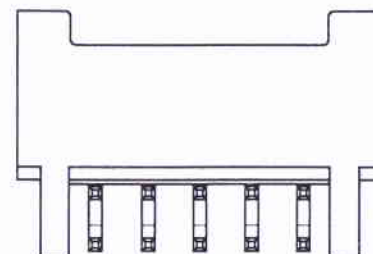
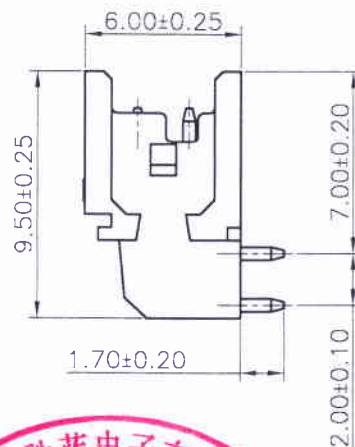
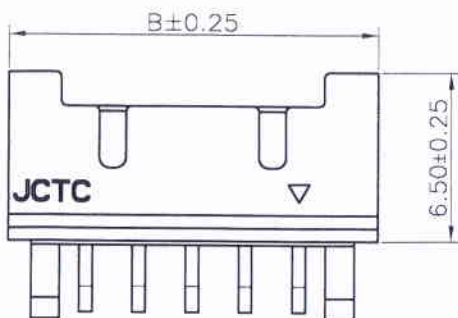


环保物料

Specifications:  
 Rated Voltage : 250V AC/DC  
 Rated Current : 3A AC,DC  
 Withstand Voltage : 1000V AC/minute  
 Contact Resistance : 10mΩ(Max.)  
 Insulation Resistance : 800MΩ(Min.)  
 Temperature Range : -25°C~+85°C  
 Contact: Brass/Matte Tin-plated  
 Material: High temperature plastic,UL94V-0  
 Halogen Free  
 Color: Natural(Beige)



Circuits	Dimensions		
	A	B	C
2x2P	--	8.00	4.70
2x3P	4.00	10.00	6.70
2x4P	6.00	12.00	8.70
2x5P	8.00	14.00	10.70
2x6P	10.00	16.00	12.70
2x7P	12.00	18.00	14.70
2x8P	14.00	20.00	16.70
2x9P	16.00	22.00	18.70
2x10P	18.00	24.00	20.70
2x11P	20.00	26.00	22.70
2x12P	22.00	28.00	24.70
2x13P	24.00	30.00	26.70
2x14P	26.00	32.00	28.70
2x15P	28.00	34.00	30.70
2x16P	30.00	36.00	32.70
2x17P	32.00	38.00	34.70
2x18P	34.00	40.00	36.70
2x19P	36.00	42.00	38.70
2x20P	38.00	44.00	40.70
2x21P	40.00	46.00	42.70
2x22P	42.00	48.00	44.70



12002W90-2XNP-L-S3-HF  
 ① ② ③ ④ ⑤ ⑥

- ① Series No.
- ② W00 : Up Contact
- ③ No. of Circuits
- ④ L: Lock TYPE
- ⑤ S3: S3 TYPE
- ⑥ HF: Halogen Free



REV.	REVISION RECORD	DATE	GENERAL TOLERANCES	SCALE:	NAME	DATE	JCTC®	PART NO:
A0	新图面发行	16.03.24	LINEAR	1:1	任文聪	16.03.24		
			ANGLES	APPROVED	任文聪	16.03.24	东莞胜蓝	DWG NO:
			0.0 ± 0.25	DESIGNER	任文聪	16.03.24	东莞胜蓝	ENDE05
			X° REF ± 6°	DRAWN	任文聪	16.03.24		REV: A0
			UNIT: MM				TITLE: 2.00mm PITCH DUAL ROW DIP TYPE	SHEET: 1/1
			0.00 ± 0.15				90° WAPER -- LOCK TYPE	
			X° ± 8°					
			SIZE: A4					
			0.00 ± 0.08					
			X° X' ± 2°					