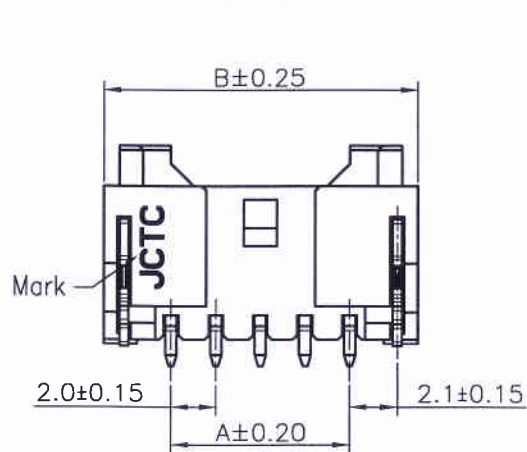
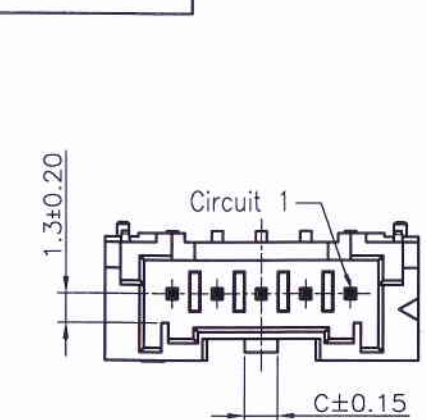
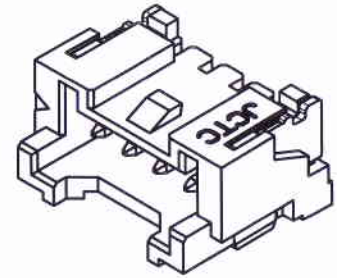
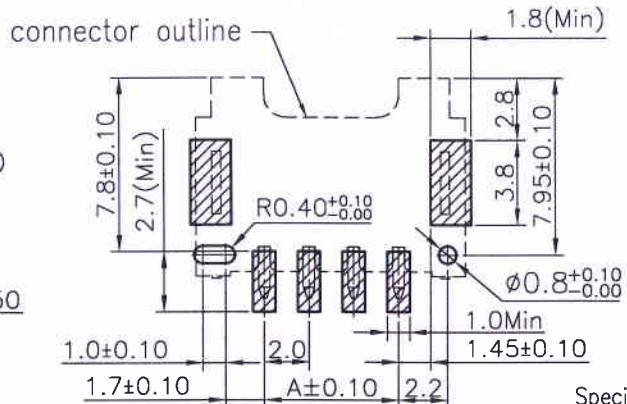
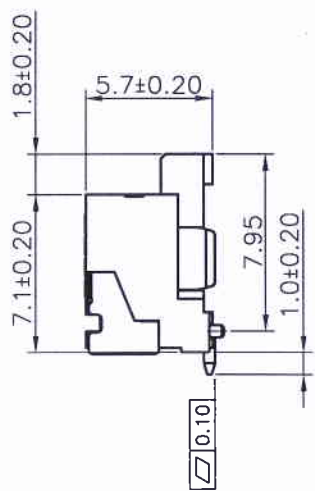
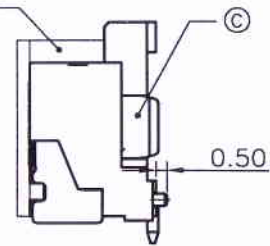


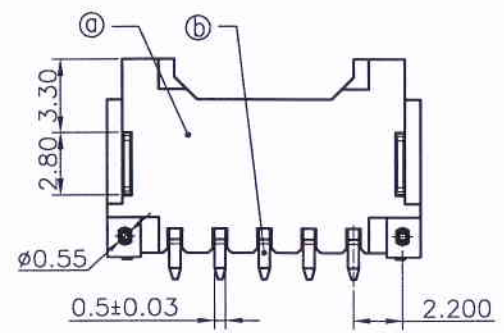
RoHS



④ CAP
(FOR PICK AND
PLACE SYSTEMS)



P.C.B. LAYOUT
GENERAL TOLERANCE:±0.05



Specifications:
Rated Voltage : 250V AC/DC
Rated Current : 3A AC,DC
Withstand Voltage : 800V AC/minute
Contact Resistance : 10mΩ(MAX.)
Insulation Resistance : 1000MΩ(MIN.)
Temperature Range : -25°C~+85°C
Contact: Brass/Tin-plated
Solder Tabs: Brass/Tin-plated
Material: Thermal Plasticity Resin, UL94V-0
Halogen Free
Color: Natural(Beige)

12002W90-NP-SF-HF-S1-R
① ② ③ ④ ⑤ ⑥ ⑦ ⑧
① Series No.
② W90 : Side Contact
W00 : Up Contact
③ No. of Circuits
④ S : SMT TYPE
⑤ F : With Boss
⑥ HF : Halogen Free
⑦ S1 : With Cap
⑧ R : Tape & Reel



Circuits	Dimensions		
	A	B	C
2P	--	8.00	0.78
3P	4.00	10.00	1.20
4P	6.00	12.00	1.50
5P	8.00	14.00	1.50
6P	10.00	16.00	1.50
7P	12.00	18.00	1.50
8P	14.00	20.00	1.50
9P	16.00	22.00	1.50

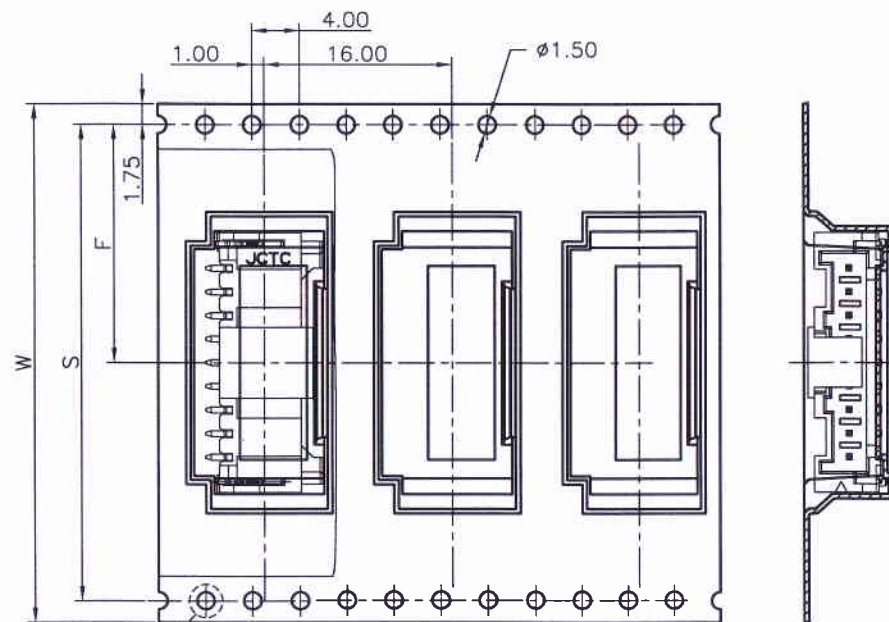
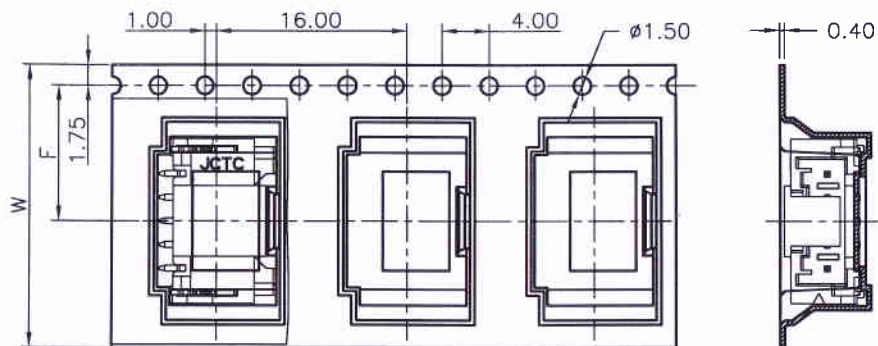
REV.	REVISION RECORD	DATE	GENERAL TOLERANCES	SCALE:	NAME	DATE	PART. NO: 12002W90-NP-SF-HF-S1-R
AO	新图面发行	16.11.16	LINEAR	1:1	APPROVED	16.11.16	
			ANGLES		DESIGNER	16.11.16	
			UNIT: MM		DRAWN	伍文聪	REV: A0
			SIZE: A4				SHEET: 1/2

JCTC® 胜蓝科技股份有限公司
TERMINAL&CONNECTORS 东莞市富智达电子科技有限公司
TITLE: PA 2.00mm PITCH 90° SMT WAFER

RoHS

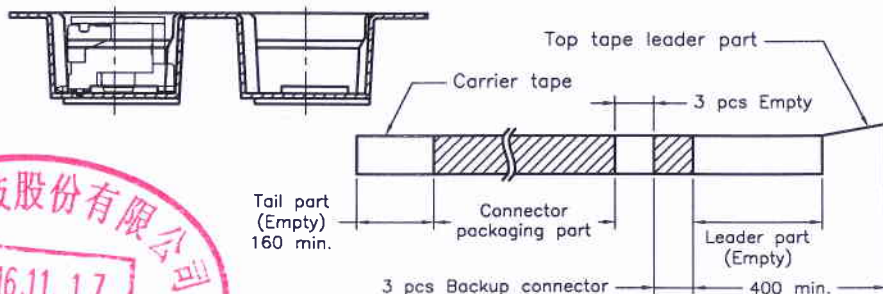
2~5 Contacts

6~9 Contacts

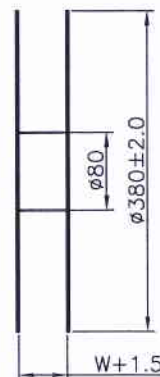
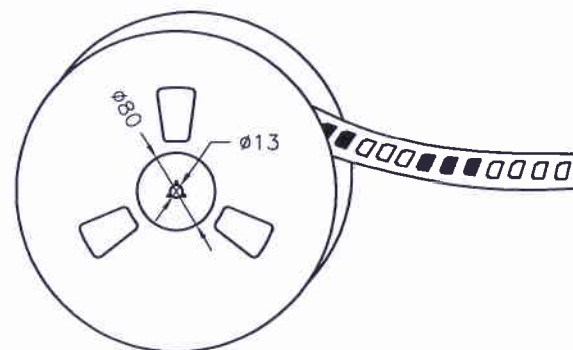
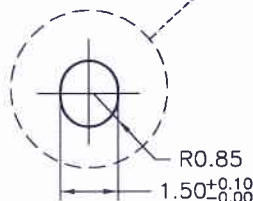


Unreeling direction →

Unreeling direction →



Number of Contacts	W±0.3	F±0.1	S±0.1	Q'ty/Reel
2P	24	11.50	/	800
3P	24	11.50		800
4P	24	11.50		800
5P	24	11.50		800
6P	32	14.20		28.40
7P	32	14.20	28.40	800
8P	44	20.20	40.40	800
9P	44	20.20	40.40	800



REV.	REVISION RECORD	DATE
A0	新图面发行	16.11.16

GENERAL TOLERANCES		SCALE: 1:1	NAME	DATE
LINEAR	ANGLES	APPROVED	<i>[Signature]</i>	16/11/16
0.0±0.25	X° REF ±6°	DESIGNER	<i>[Signature]</i>	16.11.16
0.00±0.15	X° ±3°	DRAWN	伍文聪	16.11.16
0.000±0.08	X° X' ±2°			

JCTC ® 胜蓝科技股份有限公司
TERMINAL&CONNECTORS 东莞市富智达电子科技有限公司
TITLE: PA 2.00mm PITCH 90° SMT WAFER

PART NO:	12002W90-NP-SF-HF-S1-R
DWG. NO:	ENDE05
REV:	A0
SHEET:	2/2

1

2

3

4

5

6

7

8