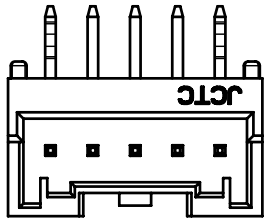
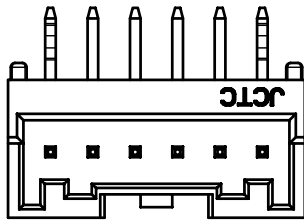


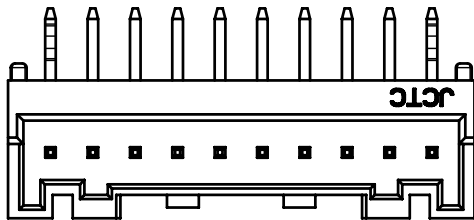
2~4P



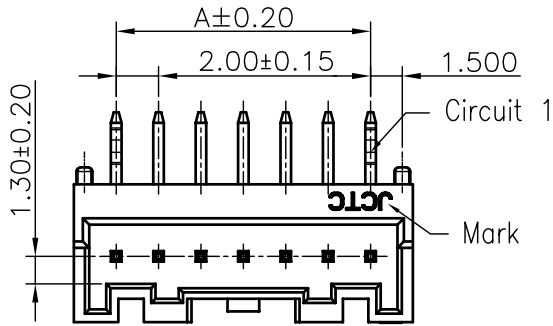
5P



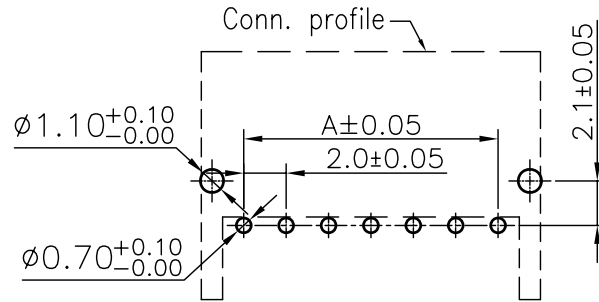
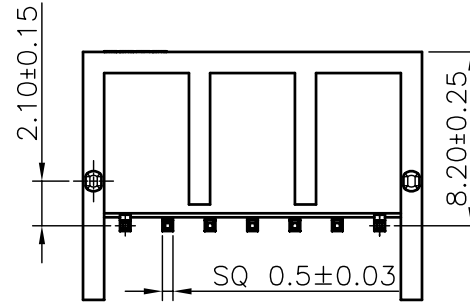
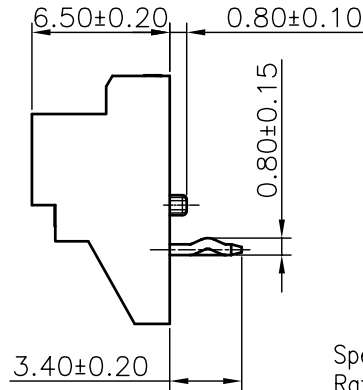
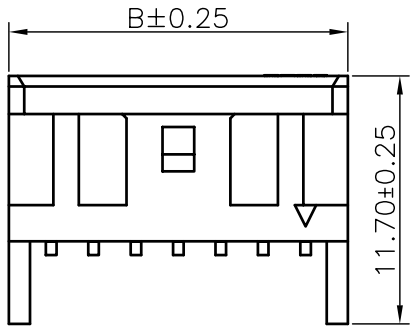
6P



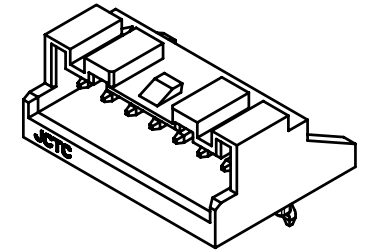
10~16P



7~9P



P.C.B. LAYOUT



PART NO.	Dimensions	
	A	B
2P	--	6.00
3P	4.00	8.00
4P	6.00	10.00
5P	8.00	12.00
6P	10.00	14.00
7P	12.00	16.00
8P	14.00	18.00
9P	16.00	20.00
10P	18.00	22.00
11P	20.00	24.00
12P	22.00	26.00
13P	24.00	28.00
14P	26.00	30.00
15P	28.00	32.00
16P	30.00	34.00

Specifications:
 Rated Voltage : 250V AC/DC
 Rated Current : 3A AC,DC
 Withstand Voltage : 800V AC/minute
 Contact Resistance : 10mΩ(MAX.)
 Insulation Resistance : 1000MΩ(MIN.)
 Temperature Range : -25°C~+85°C
 The product using material and processing must conform to the "WI-PZ-142"HSF technical standard control requirements

12002W90-NP-L

① ② ③ ④

- ① Series No.
- ② W90 : Side Contact
W00 : Up Contact
- ③ No. of Circuits
- ④ L : With Lock

Part No.	Insulator	PIN Material
12002W90-NP-L	Nylon 66,UL94V-0/Natural(White)/无磷	Brass/Tin-plated

REV.	REVISION RECORD	DATE	UNIT: MM	GENERAL TOLERANCES		SCALE: 1:1	NAME	DATE	PART. NO: 12002W90-NP-L	
				LINEAR	ANGLES					
C0	新图面发行	11. 03. 10	SIZE: A4	0.00±0.08	X° X'±2°	APPROVED	伍文聪	19. 04. 10	DWG. NO: ENDE05	
C1	更新公司名称	17. 05. 27		0.00±0.15	X° ±3°	DESIGNER				
C2	依WR1904100058变更	19. 04. 10		0.0±0.25	X° REF±6°	DRAWN				
<p>JCTC® 胜蓝科技股份有限公司 TERMINAL&CONNECTORS 东莞市富智达电子科技有限公司</p>									REV: C2	SHEET: 1/1