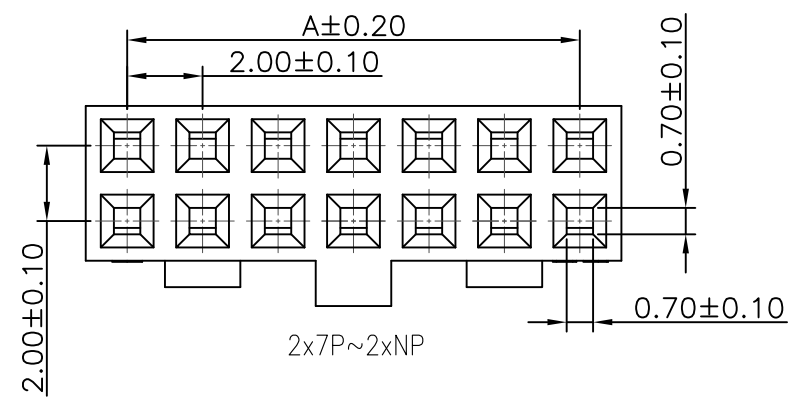
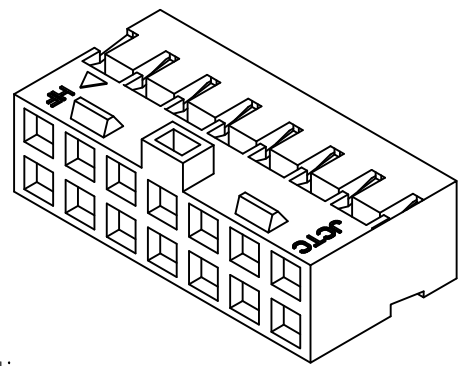
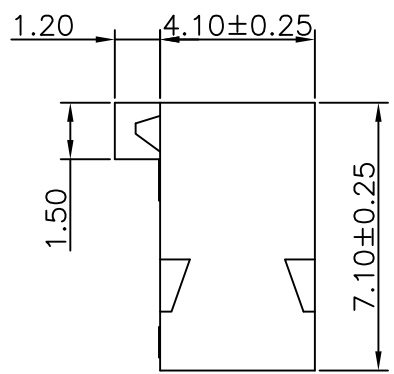
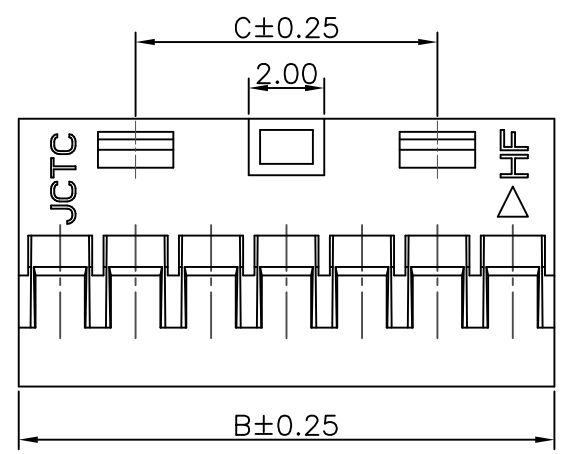


2x2P~2x6P



2x7P~2xNP



Specifications:  
 Rated Voltage : 250V AC/DC  
 Rated Current : 3A AC,DC  
 Withstand Voltage : 1000V AC/minute  
 Contact Resistance : 20mΩ(MAX.)  
 Insulation Resistance : 1000MΩ(MIN.)  
 Temperature Range : -25°C~+85°C  
 The product using material and processing must conform to the "WI-PZ-142" HSF technical standard control requirements


Circuits No.	Dimensions		
	A	B	C
2x2P	--	4.20	
2x3P	4.00	6.20	
2x4P	6.00	8.20	
2x5P	8.00	10.20	
2x6P	10.00	12.20	
2x7P	12.00	14.20	8.00
2x8P	14.00	16.20	10.00
2x9P	16.00	18.20	12.00
2x10P	18.00	20.20	14.00
2x11P	20.00	22.20	16.00
2x12P	22.00	24.20	18.00
2x13P	24.00	26.20	20.00
2x14P	26.00	28.20	22.00
2x15P	28.00	30.20	24.00
2x16P	30.00	32.20	26.00
2x17P	32.00	34.20	28.00
2x18P	34.00	36.20	30.00
2x19P	36.00	38.20	32.00
2x20P	38.00	40.20	34.00
2x21P	40.00	42.20	36.00
2x22P	42.00	44.20	38.00
2x23P	44.00	46.20	40.00
2x24P	46.00	48.20	42.00
2x25P	48.00	50.20	44.00

12003H00-2xNPA-T3  
 ① ② ③ ④ ⑤

- ① Series No.
- ② H90 : Side Contact  
H00 : Up Contact
- ③ No. of Circuits
- ④ A : Product color(A--Y)  
Blank : Natural type
- ⑤ T3 : Mount type

Suitable for JCTC 12003 series terminal

Part No.	Material	Color
12003H00-2xNPA-T3	Nylon 66,UL94V-0	黑色

REV.	REVISION RECORD	DATE	UNIT: MM	GENERAL TOLERANCES		SCALE: 1:1	NAME	DATE	PART. NO:	DWG. NO:	 TERMINAL&CONNECTORS
C0	新图面发行	09. 11. 25		LINEAR	ANGLES	APPROVED			12003H00-2xNPA-T3	ENDE05	
C1	变更公司名称	20. 12. 24	0.00±0.15	X° ±3°	DESIGNER			TITLE: DB双排带3个凸 2.0mm PITCH HOUSING			
			SIZE: A4	0.000±0.08	X° X'±2°	DRAWN	伍文聪	20. 12. 24	REV: C1	SHEET: 1/1	