

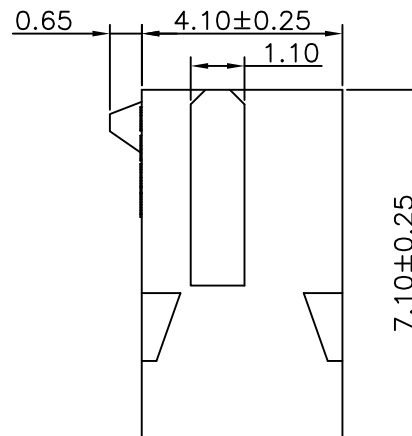
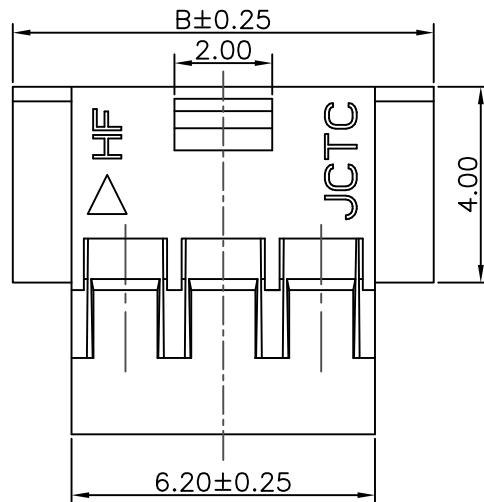
Specifications:

Rated Voltage : 250V AC/DC
 Rated Current : 3A AC,DC
 Withstand Voltage : 1000V AC/minute
 Contact Resistance : 20mΩ(MAX.)
 Insulation Resistance : 1000MΩ(MIN.)
 Temperature Range : -25°C~+85°C

12003H00-2XNPX-E-S2-HF

① ② ③ ④ ⑤ ⑥ ⑦

- ① Series No.
- ② H90 : Side Contact
H00 : Up Contact
- ③ No. of Circuits
- ④ A : Product color(A--Y)
A : Black type
- ⑤ E : Mount type
- ⑥ S2 : S2 TYPE
- ⑦ HF : Halogen Free



Circuits No.	Dimensions	
	A	B
2x2P	--	6.60
2x3P	4.00	8.60
2x4P	6.00	10.60

Suitable for JCTC 12003 series terminal

Part No.	Material	Color
12003H00-2XNPA-E-S2-HF	Nylon66,UL 94V-0	Black

REV.	REVISION RECORD	DATE		GENERAL TOLERANCES		SCALE:	NAME	DATE	PART. NO:	DWG. NO:	 TERMINAL&CONNECTORS
C0	新图面发行	14. 09. 11		LINEAR	ANGLES	1:1					
C1	变更公司名称	20. 12. 24	0. 0±0. 25	X° REF±6°	APPROVED			12003H00-2XNPX-E-S2-HF	ENDE05		
			0. 00±0. 15	X° ±3°	DESIGNER			TITLE:			
			UNIT: MM	X° X'±2°	DRAWN	伍文聪	20. 12. 24	DB 双排带凸有耳2.0mm PITCH HOUSING		REV: C1	SHEET: 1/1
			SIZE: A4	0. 000±0. 08							