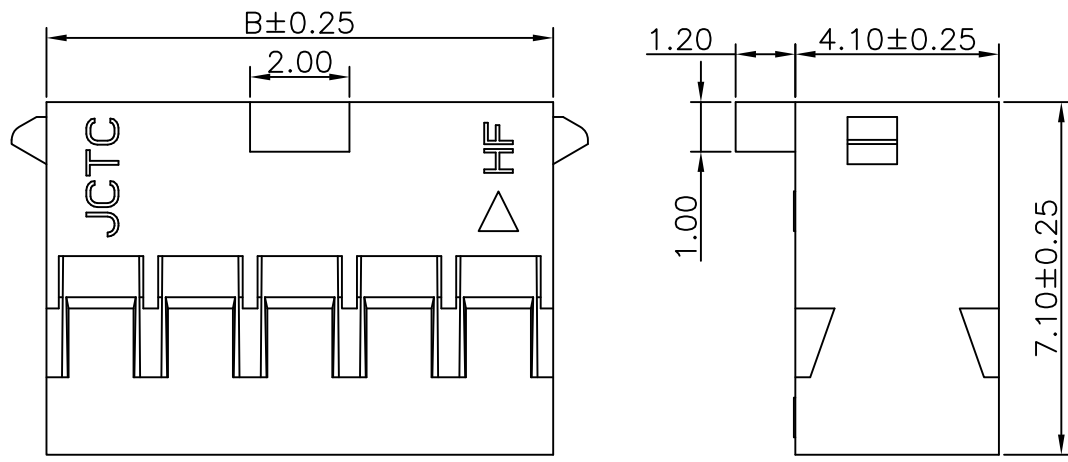


Specifications:
 Rated Voltage : 250V AC/DC
 Rated Current : 3A AC,DC
 Withstand Voltage : 1000V AC/minute
 Contact Resistance : 20mΩ(MAX.)
 Insulation Resistance : 1000MΩ(MIN.)
 Temperature Range : -25°C~+85°C

Circuits No.	Dimensions	
	A	B
2x2P	--	4.20
2x3P	4.00	6.20
2x4P	6.00	8.20
2x5P	8.00	10.20
2x6P	10.00	12.20
2x7P	12.00	14.20
2x8P	14.00	16.20
2x9P	16.00	18.20
2x10P	18.00	20.20
2x11P	20.00	22.20
2x12P	22.00	24.20
2x13P	24.00	26.20
2x14P	26.00	28.20
2x15P	28.00	30.20
2x16P	30.00	32.20
2x17P	32.00	34.20
2x18P	34.00	36.20
2x19P	36.00	38.20
2x20P	38.00	40.20
2x21P	40.00	42.20
2x22P	42.00	44.20
2x23P	44.00	46.20
2x24P	46.00	48.20
2x25P	48.00	50.20



12003H00-2xNPA-E-HF
 ① ② ③ ④ ⑤ ⑥

- ① Series No.
- ② H90 : Side Contact
H00 : Up Contact
- ③ No. of Circuits
- ④ A : Product color(A--Y)
Blank : Natural type
- ⑤ E : Mount type
- ⑥ HF : Halogen Free

Suitable for JCTC 12003 series terminal

Part No.	Material	Color
12003H00-2xNPA-E-HF	Nylon 66,UL94V-0	黑色

REV.	REVISION RECORD	DATE		GENERAL TOLERANCES		SCALE: 1:1	NAME	DATE	PART. NO: 12003H00-2xNPA-E-HF	DWG. NO: ENDE05	 TERMINAL&CONNECTORS
C0	新版发行	13. 09. 27		LINEAR	ANGLES _{p3}	APPROVED					
C1	更新图框	20. 12. 24	0. 0±0. 25	X° REF±6°	DESIGNER			TITLE: DB双排带凸两边有耳 2. 0mm PITCH HOUSING	REV: A0	SHEET: 1/1	
			UNIT: MM	0. 00±0. 15	X° ±3°	DRAWN	伍文聪	20. 12. 24			
			SIZE: A4	0. 000±0. 08	X° X'±2°						