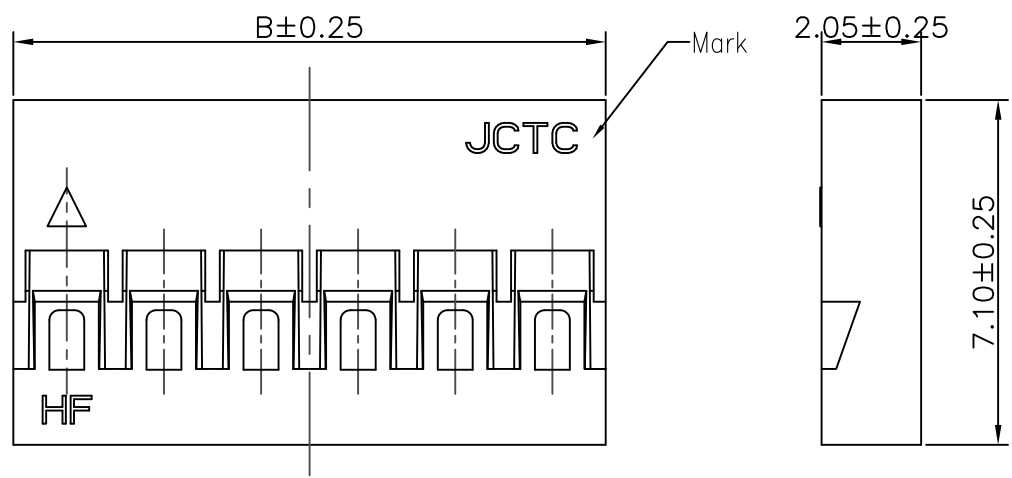


Specifications:
 Rated Voltage : 250V AC/DC
 Rated Current : 3A AC,DC
 Withstand Voltage : 1000V AC/minute
 Contact Resistance : 20mΩ(MAX.)
 Insulation Resistance : 1000MΩ(MIN.)
 Temperature Range : -25°C~+85°C
 The product using material and processing must conform to the "WI-PZ-142" HSF technical standard control requirements

Circuits No.	Dimensions	
	A	B
2P	2.00	4.20
3P	4.00	6.20
4P	6.00	8.20
5P	8.00	10.20
6P	10.00	12.20
7P	12.00	14.20
8P	14.00	16.20
9P	16.00	18.20
10P	18.00	20.20
11P	20.00	22.20
12P	22.00	24.20
13P	24.00	26.20
14P	26.00	28.20
15P	28.00	30.20
16P	30.00	32.20
17P	32.00	34.20
18P	34.00	36.20
19P	36.00	38.20
20P	38.00	40.20
21P	40.00	42.20
22P	42.00	44.20
23P	44.00	46.20
24P	46.00	48.20
25P	48.00	50.20



12003H00-NPA-HF
 ① ② ③④ ⑤
 ① Series No.
 ② H90 : Side Contact
 H00 : Up Contact
 ③ No. of Circuits
 ④ A : Product color(A--Y)
 Blank : Natural type
 ⑤ HF : Halogen Free

Suitable for JCTC 12003 series terminal

Part No.	Material	Color
12003H00-NPA	Nylon 66,UL94V-0	黑色
12003H00-NPA-HF	Nylon 66,UL94V-0	黑色无卤

REV.	REVISION RECORD	DATE	UNIT: MM	GENERAL TOLERANCES		SCALE: 1:1	NAME	DATE	PART. NO: 12003H00-NPX-XX	DWG. NO: ENDE05	 TERMINAL&CONNECTORS
C0	新图面发行	09.11.25		LINEAR	ANGLES	APPROVED					
C1	图面与实物不符, 修正图面	10.10.14	0.00±0.15	X° ±3°	DESIGNER						
C2	更新图框	20.12.24	0.000±0.08	X° X'±2°	DRAWN	伍文聪	20.12.24	TITLE: DB 单排 2.0mm PITCH HOUSING			
										REV: C2	SHEET: 1/1