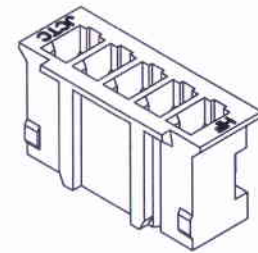


Specifications:
 Rated Voltage : 100V AC/DC
 Rated Current : 1A AC,DC
 Withstand Voltage : 800V AC/minute
 Contact Resistance : 20mΩ(MAX.)
 Insulation Resistance : 1000MΩ(MIN.)
 Temperature Range : -25°C~+85°C
 The product using material and processing must conform to the "WI-PZ-142"HSF technical standard control requirements

12004H00-NPX-HF

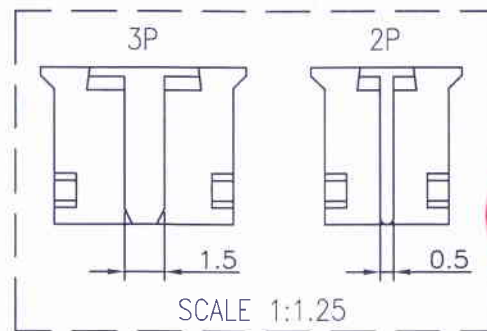
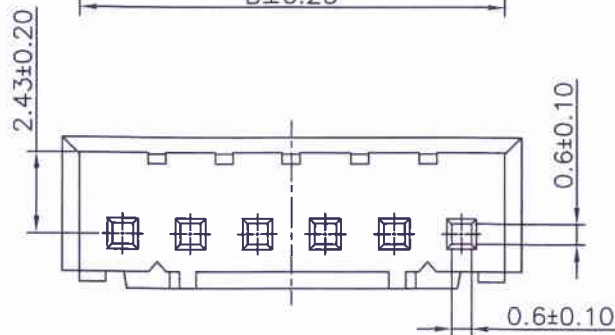
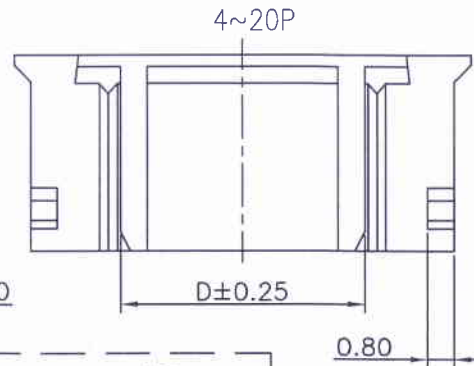
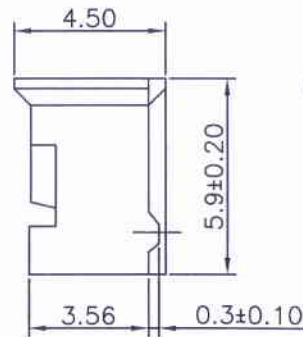
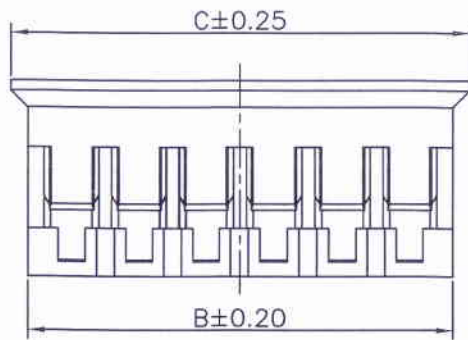
① ② ③④ ⑤

- ① Series No.
- ② H90 : Side Contact
H00 : Up Contact
- ③ No. of Circuits
- ④ X : Product color(A--Y)
Blank : Natural type
- ⑤ HF : Halogen Free



△C6

Circuits No.	Dimensions			
	A	B	C	D
2P	--	4.60	5.60	--
3P	4.00	6.60	7.60	--
4P	6.00	8.60	9.60	3.25
5P	8.00	10.60	11.60	5.25
6P	10.00	12.60	13.60	7.25
7P	12.00	14.60	15.60	9.25
8P	14.00	16.60	17.60	11.25
9P	16.00	18.60	19.60	13.25
10P	18.00	20.60	21.60	15.25
11P	20.00	22.60	23.60	17.25
12P	22.00	24.60	25.60	19.25
13P	24.00	26.60	27.60	21.25
14P	26.00	28.60	29.60	23.25
15P	28.00	30.60	31.60	25.25
16P	30.00	32.60	33.60	27.25
17P	32.00	34.60	35.60	29.25
18P	34.00	36.60	37.60	31.25
19P	36.00	38.60	39.60	33.25
20P	38.00	40.60	41.60	35.25



Suitable for JCTC 12004 series terminal

Part No.	Material	Color
12004H00-NP	Nylon 66,UL94V-0	本色
12004H00-NPB	Nylon 66,UL94V-0	棕色
12004H00-NPD	Nylon 66,UL94V-0	橙色
12004H00-NP-HF	Nylon 66,UL94V-0	无卤本色
12004H00-NPA-HF	Nylon 66,UL94V-0	黑色无卤
12004H00-NPB-HF	Nylon 66,UL94V-0	棕色无卤
12004H00-NPN-HF	Nylon 66,UL94V-0	咖啡色无卤



REV.	REVISION RECORD	DATE
C4	HN1111010146	11.11.01
C5	增加黑色无卤规格	14.10.18
C6	依HR1808260201变更	18.10.26
D0	依HR1905300099变更	19.05.30

GENERAL TOLERANCES		SCALE:	NAME	DATE
LINEAR	ANGLES	1:1		
0.0±0.25	X° REF±6°	APPROVED		
0.00±0.15	X° ±3°	DESIGNER		
0.000±0.08	X° X'±2°	DRAWN	张振坤	19.05.30

JCTC 胜蓝科技股份有限公司
 TERMINAL&CONNECTORS 东莞市富智达电子科技有限公司
 TITLE: JAE 2.00mm PITCH HOUSING

PART. NO:	12004H00-NPX-XX
DWG. NO:	ENDE05
REV:	D0
SHEET:	1/1