

1

2

3

4

5

6

7

8

A

B

C

D

E

F

G

H

A

B

C

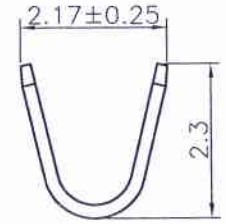
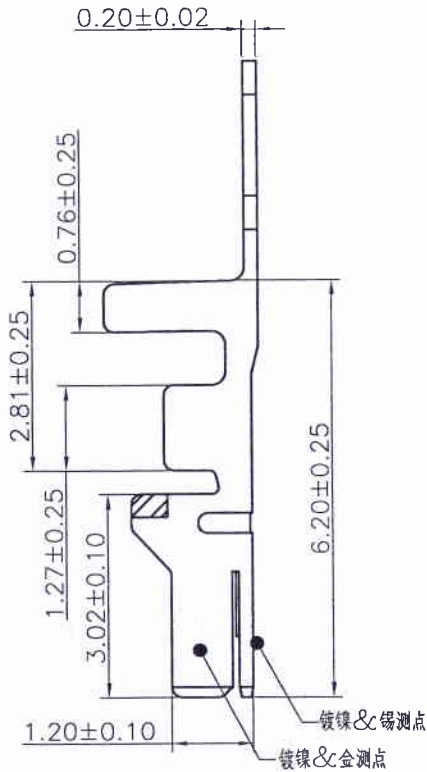
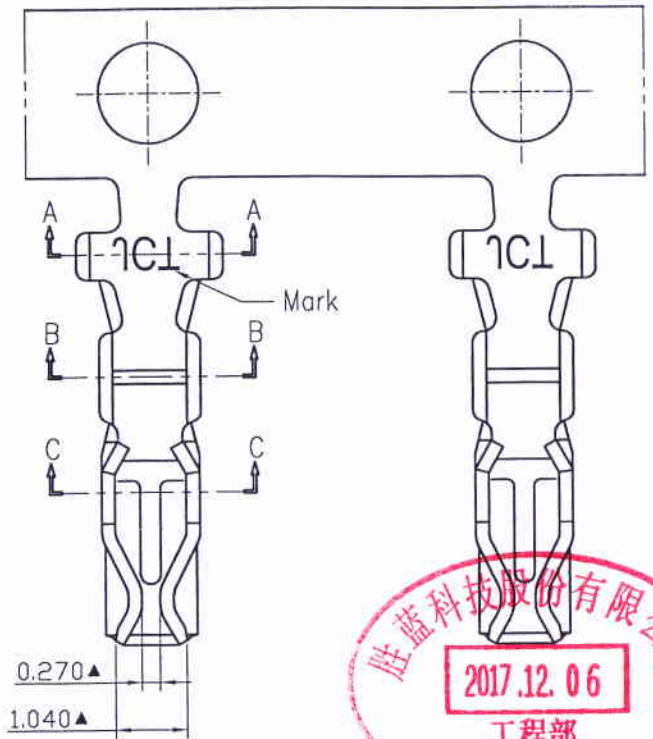
D

E

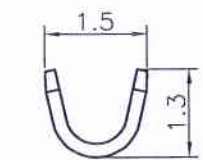
F

G

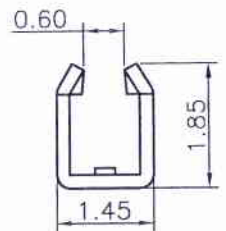
H



SECTION A-A



SECTION B-B



SECTION C-C

12005TOP-XX-XX

- 空码: Mark
- NK: No Mark
- Finish
- Phosphor Bronze
- 外观形态: 180°
- Terminal



Part No	Wire Range	Insulation O.D.	Material	Finish	Qty/reel
12005TOP-OA	AWG#24~#28	1.60mm(max)	Phosphor Bronze	Gold Flash Contact Area, 30u"Ni Min All Area	10,000 pcs
12005TOP-OH	AWG#24~#28	1.60mm(max)	Phosphor Bronze	Au-plated 30u"Min Contact Area	10,000 pcs
12005TOP-5H	AWG#24~#28	1.60mm(max)	Phosphor Bronze	30u"Au Min Contact Area, 1u"Au Min Other Area	10,000 pcs
12005TOP-2	AWG#24~#28	1.60mm(max)	Phosphor Bronze	Tin-plated 60u"Min	10,000 pcs
12005TOP-2E	AWG#24~#28	1.60mm(max)	Phosphor Bronze	Tin-plated 60u"Min	10,000 pcs

The product using material and processing must conform to the "WI-PZ-142" HSF technical standard control requirements

REV.	REVISION RECORD	DATE	GENERAL TOLERANCES	SCALE:	NAME	DATE	PART. NO: 12005TOP-XX
C3	新增电镀规格	13.08.13	LINEAR	1:1	APPROVED		
C4	TN1310230182	13.10.28	ANGLES		DESIGNER		
C5	新增"OA"规格	14.07.28	UNIT: MM		DRAWN		REV: C6 SHEET: 1/1
C6	更新公司名称	17.04.01	SIZE: A4				

JCTC® 胜蓝科技股份有限公司
TERMINAL&CONNECTORS 东莞市富智达电子科技有限公司

TITLE: DF11 端子

1

2

3

4

5

6

7

8