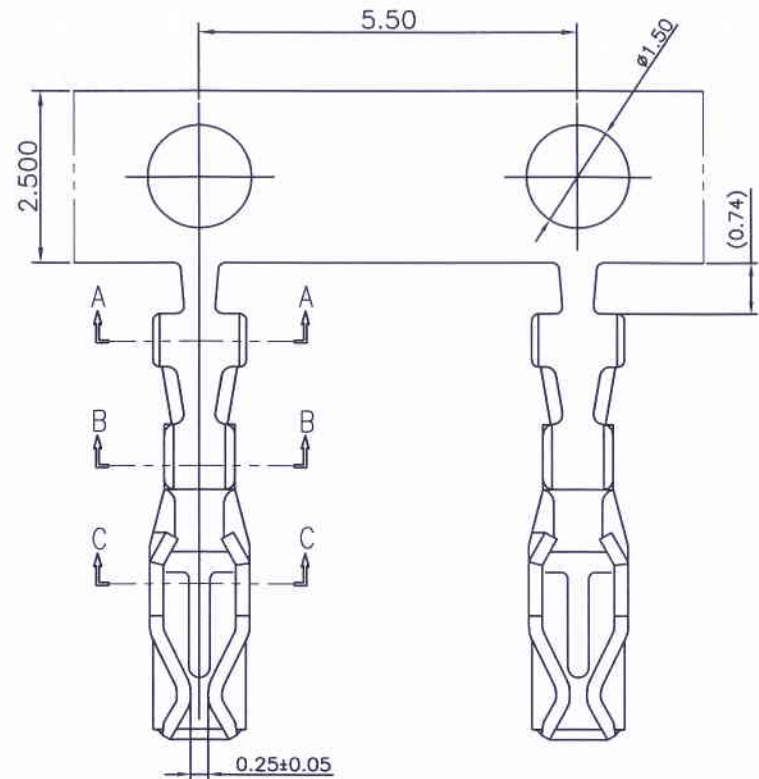
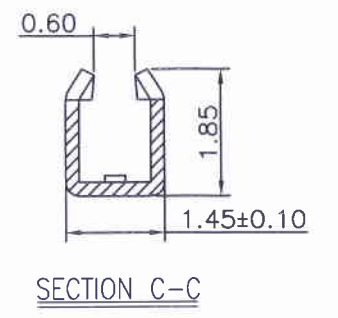
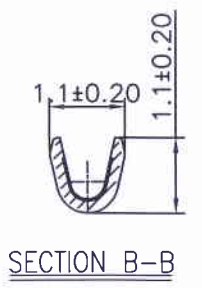
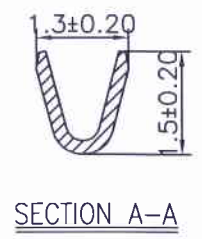
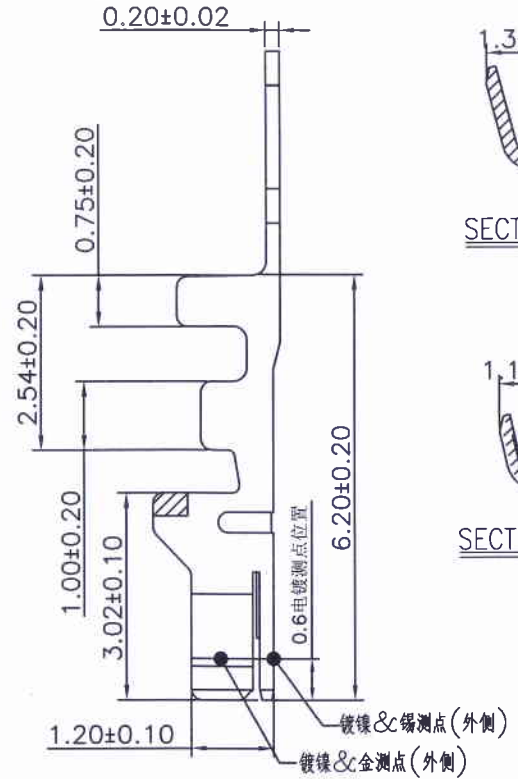


RoHS



30°插拔后尺寸为0.35±0.10



12005T1P-XX-NK

- NK: No Mark
- Finish
- Phosphor Bronze
- 外观形态: 低脚
- Terminal

Part No	Wire Range	Insulation O.D.	Material	Finish	Qty/reel
12005T1P-0A-NK	AWG#28~#32	0.80mm(max)	Phosphor Bronze	Gold Flash Contact Area,30u"Ni Min All Area	10,000 pcs
12005T1P-2E-NK	AWG#28~#32	0.80mm(max)	Phosphor Bronze	Tin-plated 60u"Min	10,000 pcs

REV.	REVISION RECORD	DATE	GENERAL TOLERANCES		SCALE: 1:1	NAME	DATE	<b>JCTC</b> ® 胜蓝科技股份有限公司 TERMINAL&CONNECTORS 东莞市富智达电子科技有限公司	PART. NO:				
			LINEAR	ANGLES					12005T1P-XX-NK				
			0.0±0.25	X° REF±6°	APPROVED				DWG. NO:				
			0.00±0.15	X° ±3°	DESIGNER				ENDE05				
A0	新图面发行	17.03.30	UNIT: MM	SIZE: A4	0.000±0.08	X° X'±2°	DRAWN	郑群庄	17.03.30	TITLE:	DF11 低脚端子	REV: A0	SHEET: 1/1