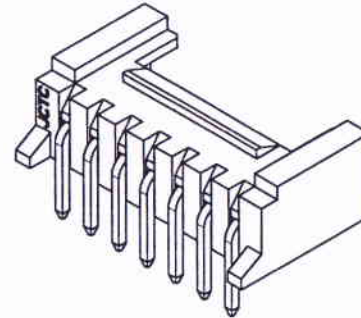
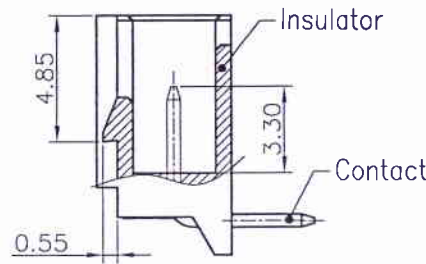
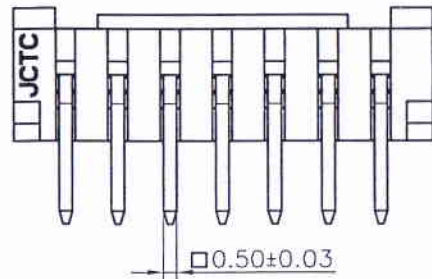
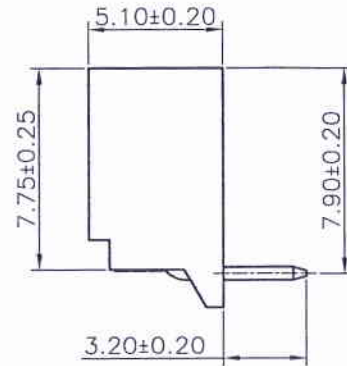
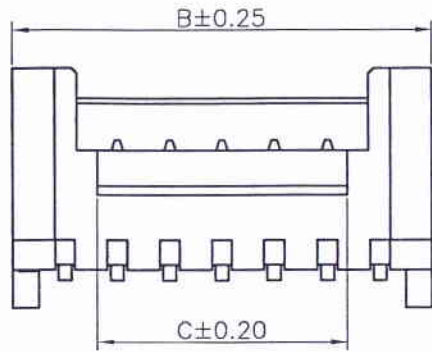


Specifications:
 Rated Voltage : 250V AC/DC
 Rated Current : 3A AC,DC
 Withstand Voltage : 1000V AC/minute
 Contact Resistance : 30mΩ(Max.)
 Insulation Resistance : 1000MΩ(Min.)
 Temperature Range : -25°C~+85°C
 Contact: Brass/Tin-plated
 Material: Nylon 66,UL94V-0 Halogen Free
 Color: Natural(White)
 The product using material and processing must conform to the "WI-PZ-142"HSF technical standard control requirements



Circuits	Dimensions		
	A	B	C
2P	--	6.00	1.50
3P	4.00	8.00	
4P	6.00	10.00	3.50
5P	8.00	12.00	5.50
6P	10.00	14.00	7.50
7P	12.00	16.00	9.50
8P	14.00	18.00	11.50
9P	16.00	20.00	15.50
10P	18.00	22.00	
11P	20.00	24.00	
12P	22.00	26.00	
13P	24.00	28.00	
14P	26.00	30.00	
15P	28.00	32.00	
16P	30.00	34.00	

REV.	REVISION RECORD	DATE	GENERAL TOLERANCES		SCALE:	NAME	DATE	PART. NO: 12005W90-NP-HF
C0	新图面发行	12.12.18	LINEAR	ANGLES	1:1			
C1	更新公司名称	17.07.10	0.0±0.25	X° REF±6°	APPROVED			
			UNIT: MM	0.00±0.15	X° ±3°	DESIGNER		
			SIZE: A4	0.000±0.08	X° X'±2°	DRAWN	伍文聰 17.07.10	
TITLE: 2.00mm PITCH DIP TYPE 90° WAFER								DWG. NO: ENDE05
							REV: C1	SHEET: 1/1



JCTC® 胜蓝科技股份有限公司
 TERMINAL&CONNECTORS 东莞市富智达电子科技有限公司