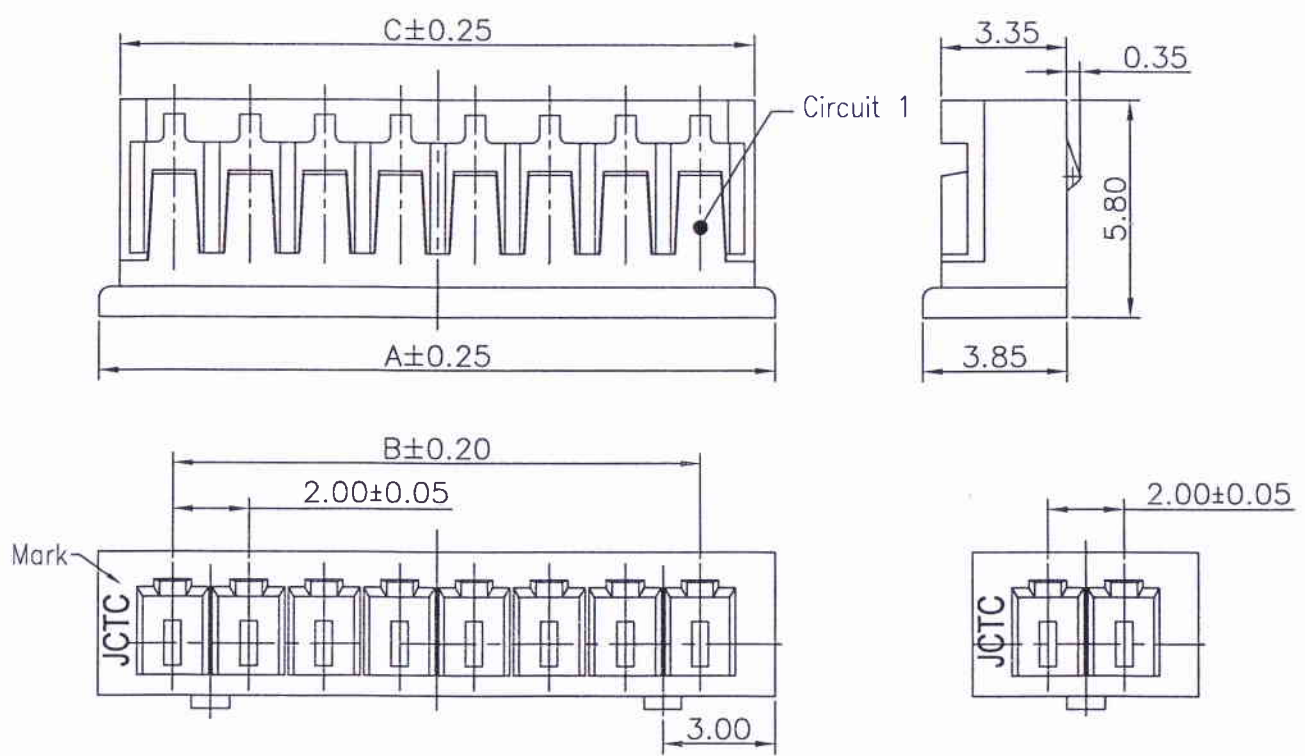


Specifications:
 Rated Voltage : 125V AC/DC
 Rated Current : 2A AC,DC
 Withstand Voltage : 500V AC/minute
 Contact Resistance : 20mΩ(MAX.)
 Insulation Resistance : 1000MΩ(MIN.)
 Temperature Range : -25℃~+85℃
 Pitch Between Poles : 2.00mm
 The product using material and processing must conform to the "WI-PZ-142"HSF technical standard control requirements



Circuits No.	Dimensions		
	A	B	C
2P	6.00		4.90
3P	8.00	4.00	6.90
4P	10.00	6.00	8.90
5P	12.00	8.00	10.90
6P	14.00	10.00	12.90
7P	16.00	12.00	14.90
8P	18.00	14.00	16.90
9P	20.00	16.00	18.90
10P	22.00	18.00	20.90
11P	24.00	20.00	22.90
12P	26.00	22.00	24.90
13P	28.00	24.00	26.90
14P	30.00	26.00	28.90
15P	32.00	28.00	30.90

12006H00-NPX-HF
 ① ② ③④ ⑤

- ① Series No.
- ② H00 : Up Contact
- ③ No. of Circuits
- ④ X : Product color(A--Y)
- ⑤ HF : Halogen Free



Suitable for JCTC 12006 series terminal

Part No.	Material	Color
12006H00-NP-HF	Nylon 66,UL94V-0	本色无齿
12006H00-NPA-HF	Nylon 66,UL94V-0	黑色无齿

REV.	REVISION RECORD	DATE	GENERAL TOLERANCES	SCALE:	NAME	DATE	JCTC® 胜蓝科技股份有限公司 TERMINAL&CONNECTORS 东莞市富智达电子科技有限公司	PART. NO: 12006H00-NP-XX
C1	HN1105280083	11.05.28	LINEAR	1:1				
C2	HN1110080136	11.05.28	ANGLES	APPROVED				
C3	增加黑色规格	15.12.16	0.0±0.25 X° REF±6°	DESIGNER				
C4	更换公司名称	17.10.17	0.00±0.15 X° ±3°	DRAWN	伍文聪	17.10.17	REV: C4	SHEET: 1/1