

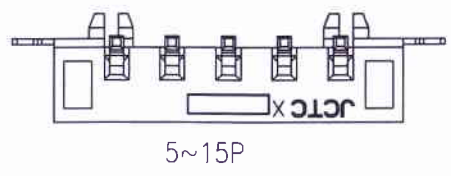
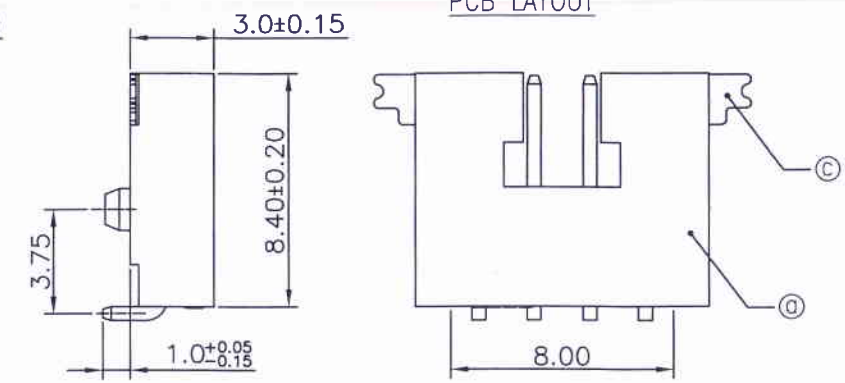
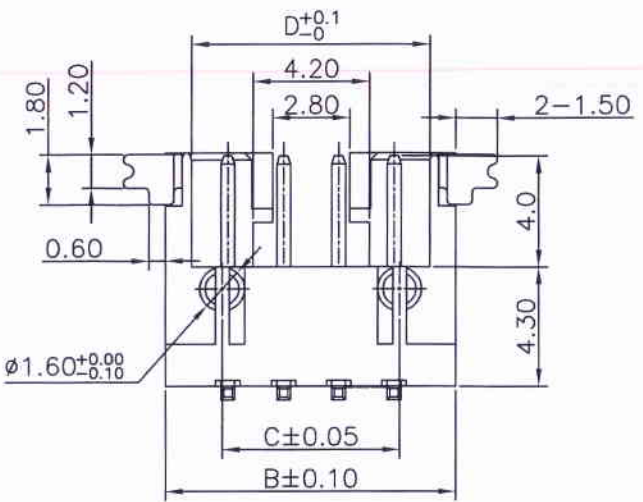
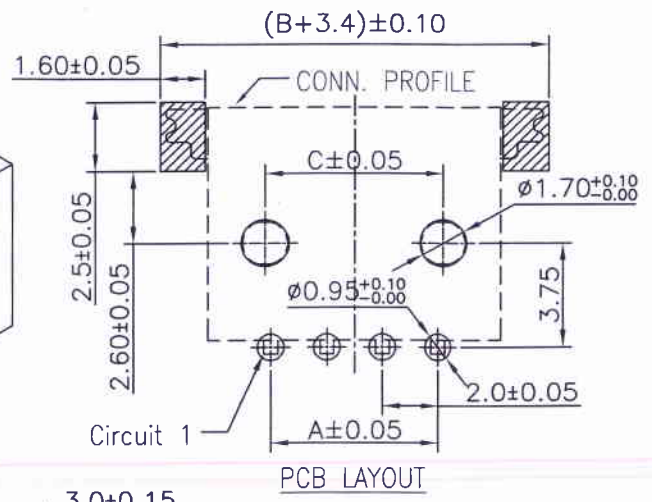
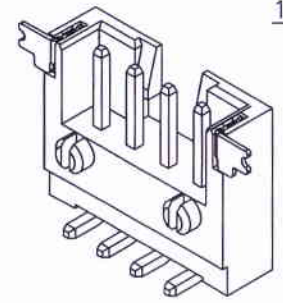
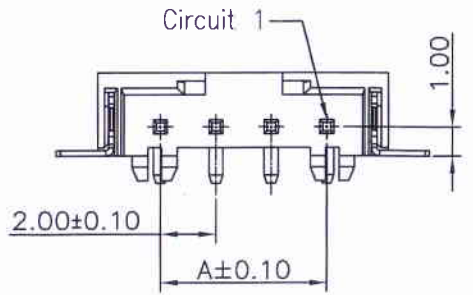
Specifications:
 Voltage Rating : 250V AC/DC
 Current Rating : 3A AC,DC
 Withstand Voltage : 500V AC/minute
 Contact Resistance : 30mΩ(MAX.)
 Insulation Resistance : 1000MΩ(MIN.)
 Temperature Range : -25°C~+85°C

12011W90-NPX-F-HF

① ② ③④⑤ ⑥

- ① Series No.
- ② W90 : Side Contact
W00 : Up Contact
- ③ No. of Circuits
- ④ X: Product color(A--Y)
- ⑤ F : With pillar
- ⑥ HF : Halogen Free

Circuits Part No	Dimensions			
	A	B	C	D
3P	4.00	8.50	4.40	6.60
4P	6.00	10.50	6.40	8.60
5P	8.00	12.50	8.40	10.60
6P	10.00	14.50	10.40	12.60
7P	12.00	16.50	12.40	14.60
8P	14.00	18.50	14.40	16.60
9P	16.00	20.50	16.40	18.60

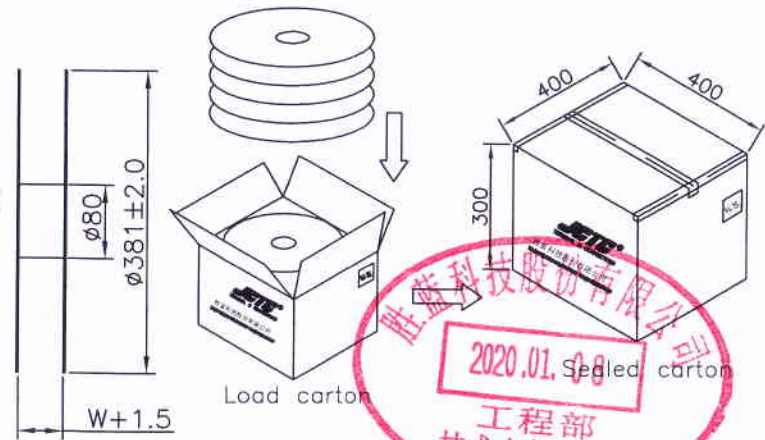
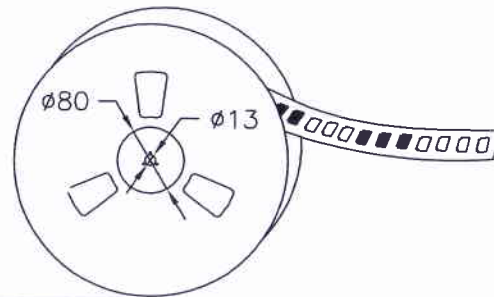
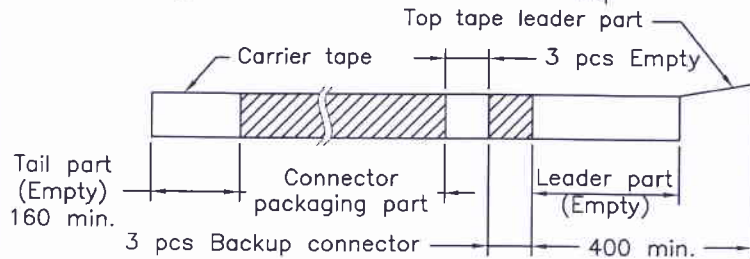
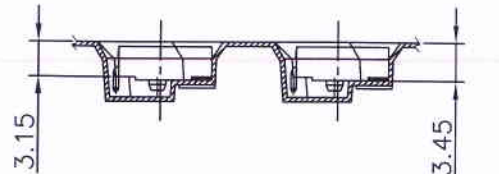
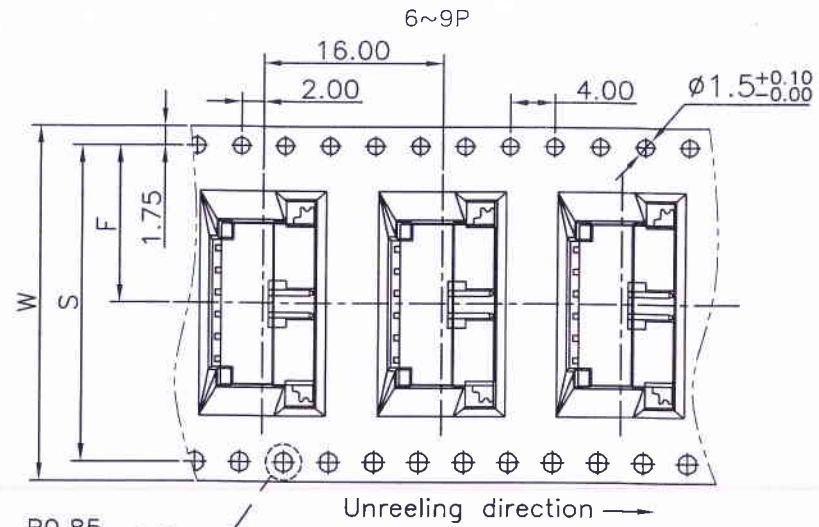
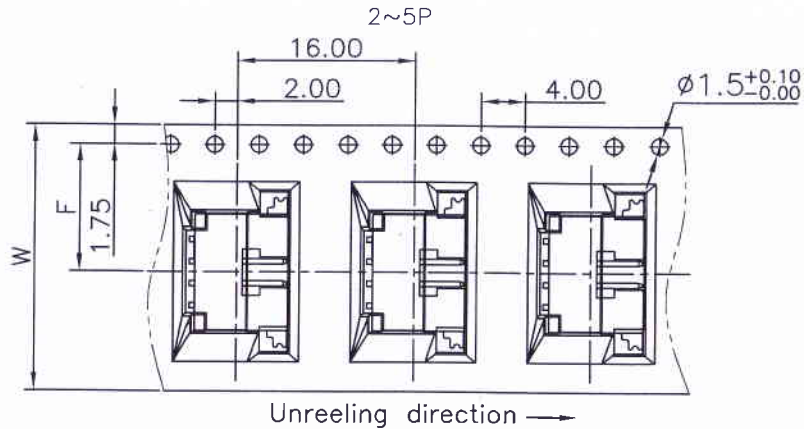


Part No.	Material	Color	PIN Material	Solder Tabs
12011W90-NP-F-HF	High temperature plastic,UL94V-0	Natural(Beige)	Brass/Gold-flash	Brass/Gold-flash
12011W90-NPA-F-HF	High temperature plastic,UL94V-0	Black	Brass/Gold-flash	Brass/Gold-flash

REV.	REVISION RECORD	DATE	GENERAL TOLERANCES	SCALE: 1:1	NAME	DATE	PART. NO:
C0	新图面发行	14.05.05	LINEAR				12011W90-NPX-F-HF-R
C1	WN1602250021	16.02.25	0.0±0.25				DWG. NO:
C2	WN2001060002	20.01.06	0.00±0.15				ENDE05
			0.00±0.08				REV: C2 SHEET: 1/2

JCTC 胜蓝科技股份有限公司
 TERMINAL&CONNECTORS 东莞市富智达电子科技有限公司

TITLE: 2.00mm PITCH 90° DIP WAFER



Number of Contacts	W±0.3	F±0.1	S±0.1	Q'ty/Reel	Q'ty/Box
03P~05P	24	11.50		800	8000
06P~08P	32	14.20	28.40	800	6400
09P	44	20.20	40.40	800	4800

REV.	REVISION RECORD		DATE	GENERAL TOLERANCES	SCALE: 1:1	NAME	DATE	PART. NO:
	REV.	DESCRIPTION						
C0		新图面发行	14.05.05	LINEAR				12011W90-NPX-F-HF-R
C1		WN1602250021	16.02.25	0.0±0.25	ANGLES			DWG. NO:
C2		WN2001060002	20.01.06	0.00±0.15	X° REF±6°			ENDE05
				0.00±0.08	X° ±3°			REV: C2
					X° X'±2°			SHEET: 2/2

JCTC® 胜蓝科技股份有限公司
 TERMINAL&CONNECTORS 东莞市富智达电子科技有限公司
 TITLE: 2.00mm PITCH 90° DIP WAFER