

1 2 3 4 5 6 7 8

A

B

C

D

E

F

G

H

A

B

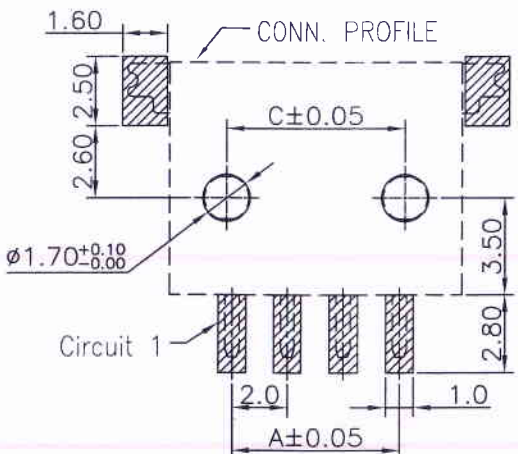
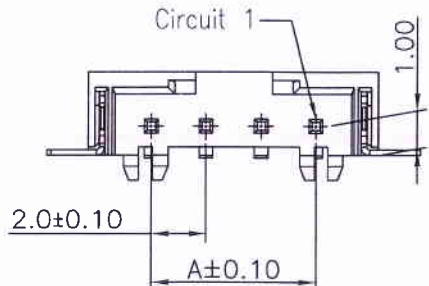
C

E

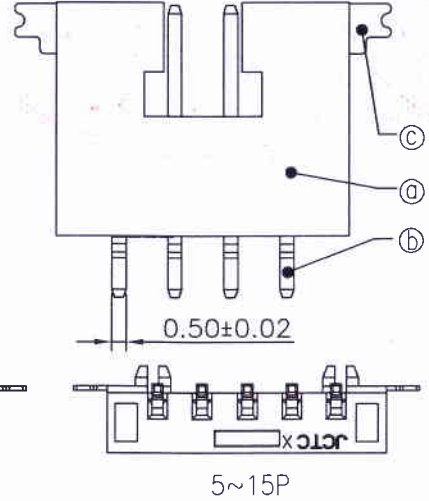
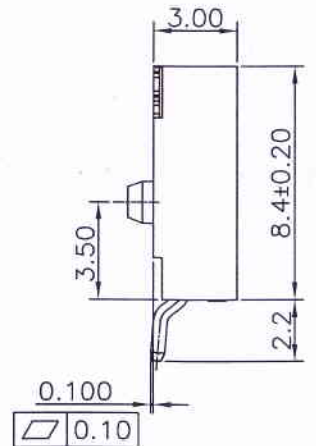
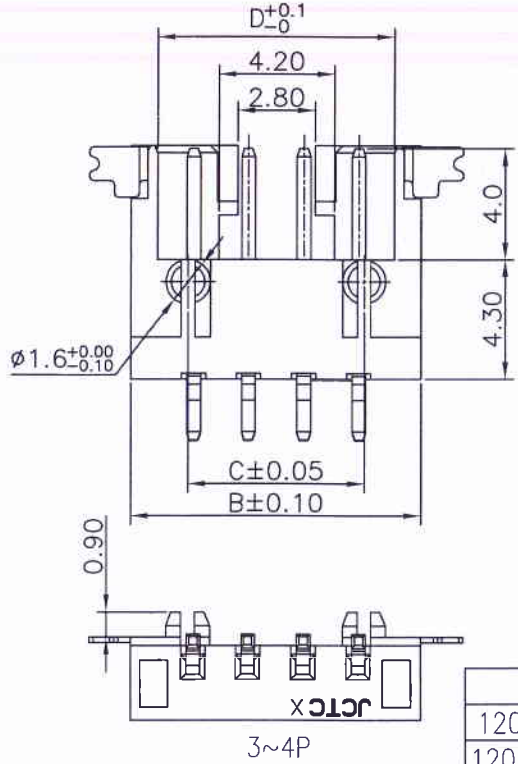
F

G

H



P.C.B Layout
General Tolerance: ±0.05



2P

5~15P

Specifications:
Voltage Rating : 250V AC/DC
Current Rating : 3A AC,DC
Withstand Voltage : 500V AC/minute
Contact Resistance : 30mΩ(MAX.)
Insulation Resistance : 1000MΩ(MIN.)
Temperature Range : -25°C~+85°C
The product using material and processing must conform to the "WI-PZ-142"HSF technical standard control requirements

12011W90-NPX-S F-A-HF-R

- ① ② ③④⑤⑥⑦⑧⑨
- ① Series No.
- ② W90 : Side Contact
W00 : Up-Contact
- ③ No. of Circuits
- ④ X: Product color(A--Y)
- ⑤ S : SMT Type
- ⑥ F : With pillar
- ⑦ A : Type
- ⑧ HF : Halogen Free
- ⑨ R : Reel pack



Circuits Part No	Dimensions			
	A	B	C	D
2P	--	6.50	--	4.60
3P	4.00	8.50	4.40	6.60
4P	6.00	10.50	6.40	8.60
5P	8.00	12.50	8.40	10.60
6P	10.00	14.50	10.40	12.60
7P	12.00	16.50	12.40	14.60
8P	14.00	18.50	14.40	16.60
9P	16.00	20.50	16.40	18.60

Part No.	Material	Color	PIN Material	Solder Tabs
12011W90-NP-SF-A-HF-R	High temperature plastic,UL94V-0	Natural(Beige)	Brass/Gold-flash	Brass/Gold-flash
12011W90-NPA-SF-A-HF-R	High temperature plastic,UL94V-0	Black	Brass/Gold-flash	Brass/Gold-flash

REV.	REVISION RECORD	DATE
A0	新图面发行	18.06.20
A1	WN2001140013	20.01.14

UNIT: MM	GENERAL TOLERANCES	
	LINEAR	ANGLES
	0.0±0.25	X° REF±6°
	0.00±0.15	X° ±3°

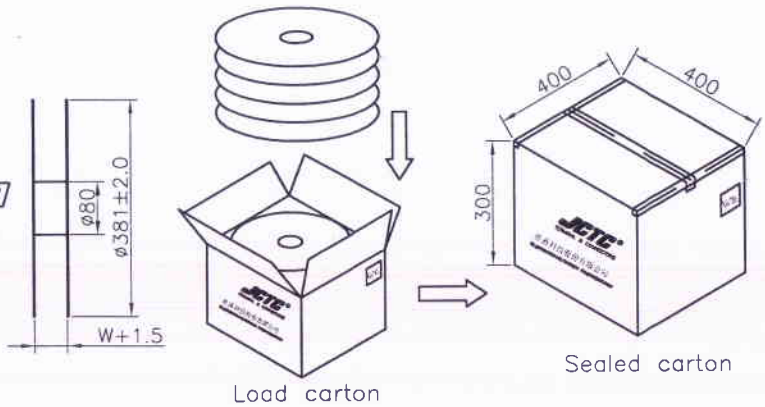
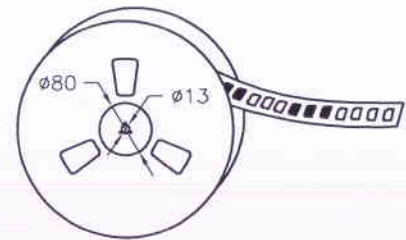
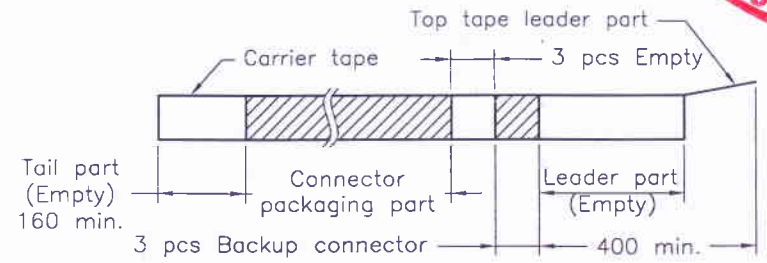
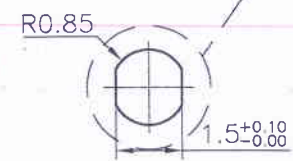
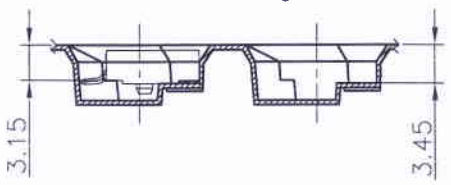
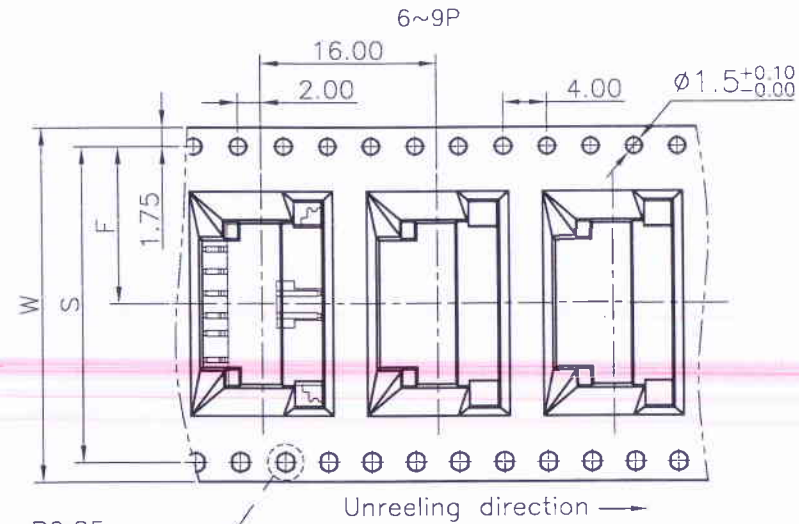
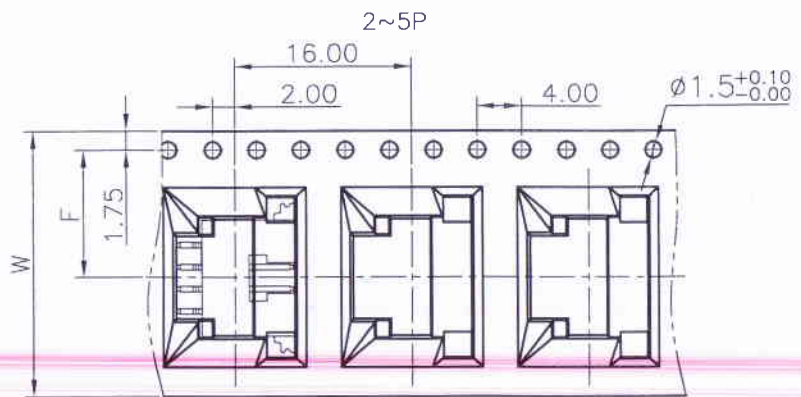
SCALE:	NAME	DATE
1:1		
APPROVED		20.01.14
DESIGNER		
DRAWN	张振坤	20.01.14

JCTC 胜蓝科技股份有限公司
TERMINAL&CONNECTORS 东莞市富智达电子科技有限公司

TITLE: 2.00mm PITCH 90° SMT WAFER

PART NO:	
12011W90-NPX-SF-A-HF-R	
DWG. NO:	
ENDE05	
REV:	SHEET:
A1	1/2

1 2 3 4 5 6 7 8



Number of Contacts	W ± 0.3	F ± 0.1	S ± 0.1	Q'ty/Reel	Q'ty/Box
2P~5P	24	11.50		800	8,000
6P~8P	32	14.20	28.40	800	6,400
09P	44	20.20	40.40	800	4,800

REV.	REVISION RECORD		DATE	UNIT: MM	GENERAL TOLERANCES		SCALE: 1:1	NAME	DATE	PART. NO:
	REV.	REVISION RECORD			LINEAR	ANGLES				
A0	新图面发行		18.06.20		0.0 ± 0.25	X $^{\circ}$ REF $\pm 6^{\circ}$				12011W90-NP-SF-A-HF-R
				SIZE: A4	0.00 ± 0.15	X $^{\circ}$ $\pm 3^{\circ}$		黄小锋	18.06.20	DWG. NO:
					0.000 ± 0.08	X $^{\circ}$ X' $\pm 2^{\circ}$				ENDE05
										REV: A0 SHEET: 2/2

JCTC 胜蓝科技股份有限公司
 TERMINAL&CONNECTORS 东莞市富智达电子科技有限公司
 TITLE: 2.00mm PITCH 90° DIP WAFER