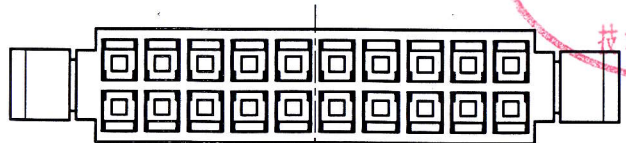
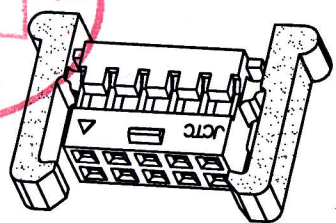


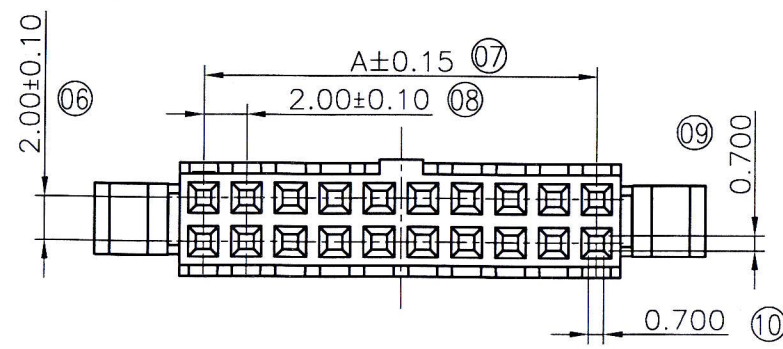
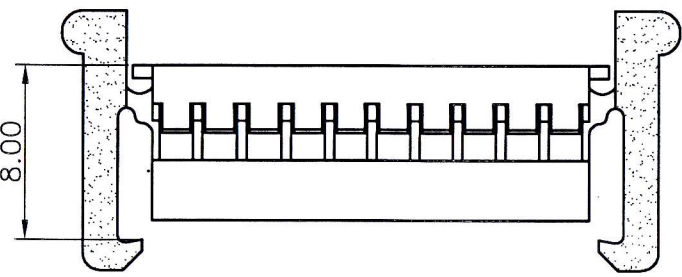
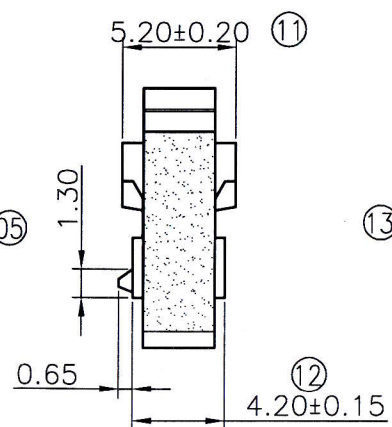
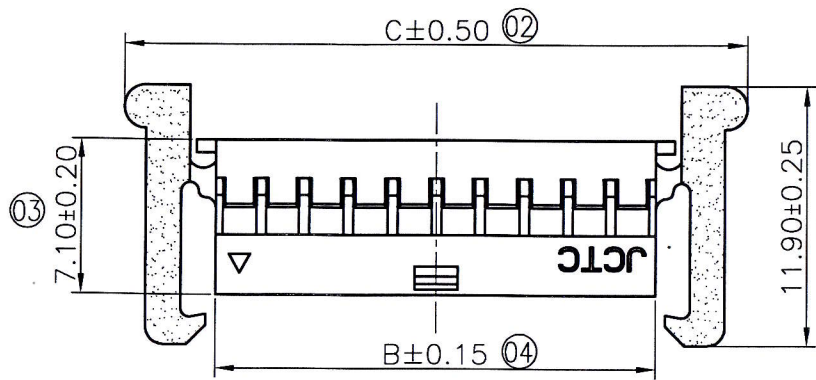
环保物料



① 2.00



Circuit	Dimensions			Circuit	Dimensions		
	A	B	C		A	B	C
2x2P	--	4.20	12.60	2x14P	26.00	28.20	36.60
2x3P	4.00	6.20	14.60	2x15P	28.00	30.20	38.60
2x4P	6.00	8.20	16.60	2x16P	30.00	32.20	40.60
2x5P	8.00	10.20	18.60	2x17P	32.00	34.20	42.60
2x6P	10.00	12.20	20.60	2x18P	34.00	36.20	44.60
2x7P	12.00	14.20	22.60	2x19P	36.00	38.20	46.60
2x8P	14.00	16.20	24.60	2x20P	38.00	40.20	48.60
2x9P	16.00	18.20	26.60	2x21P	40.00	42.20	50.60
2x10P	18.00	20.20	28.60	2x22P	42.00	44.20	52.60
2x11P	20.00	22.20	30.60	2x23P	44.00	46.20	54.60
2x12P	22.00	24.20	32.60	2x24P	46.00	48.20	56.60
2x13P	24.00	26.20	34.60	2x25P	48.00	50.20	58.60



12012H00-2xNPA-L2-HF

- ① Series No.
- ② H90 : Side Contact  
H00 : Up Contact
- ③ No. of Circuits
- ④ A : Product color(A--Y)  
A : Black type
- ⑤ L2: L2 TYPE
- ⑥ HF: Halogen Free

Specifications:  
 Rated Voltage : 250V AC/DC  
 Rated Current : 3A AC,DC  
 Withstand Voltage.: 1000V AC/minute  
 Contact Resistance : 20mΩ(MAX.)  
 Insulation Resistance : 1000MΩ(MIN.)  
 Temperature Range : -25°C~+85°C

Part No.	Material	Color
12012H00-2xNPA-L2-HF	Nylon 66,UL94V-0	Black

一般公差 GENERAL TOLERANCE					绘图 DR.	JCTC®		料号 PART NO.	
X.X	±0.25	X'	±5'		伍文聪	■ 东莞胜蓝	□ 东莞胜景	12012H00-2xNPA-L2-HF	
X.XX	±0.15	X.X'	±2'		校对 CHK.	□ 苏州伟聚	□ 东莞富强	文件编号 NUMBER	
X.XXX	±0.08	▲ MAJOR DIM.			审核 CHK.	品名 TITLE		ENDE05	
单位 UNIT	mm				核准 APPD.	2.0mm PITCH HOUSING -- LOCK TYPE		比例 SCALE	SHEET
版次 REV.	日期 DATE	变更内容 DESCRIPTION	审核 CHK.	核准 APPD.				1/1	版次 REV.
									C1