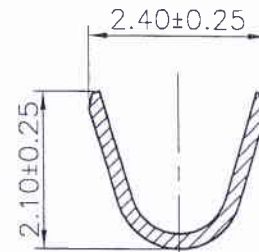
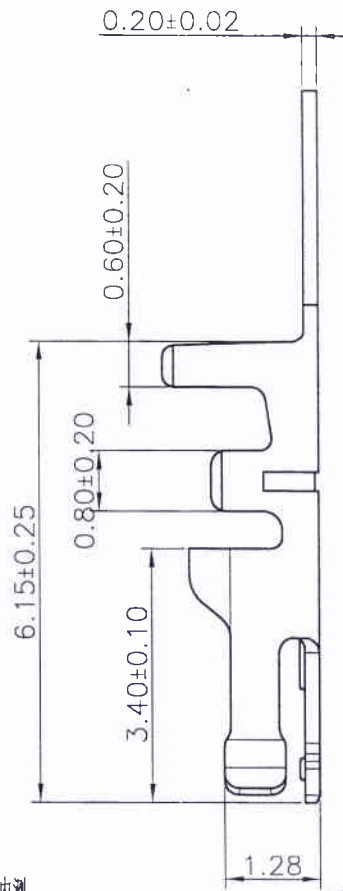
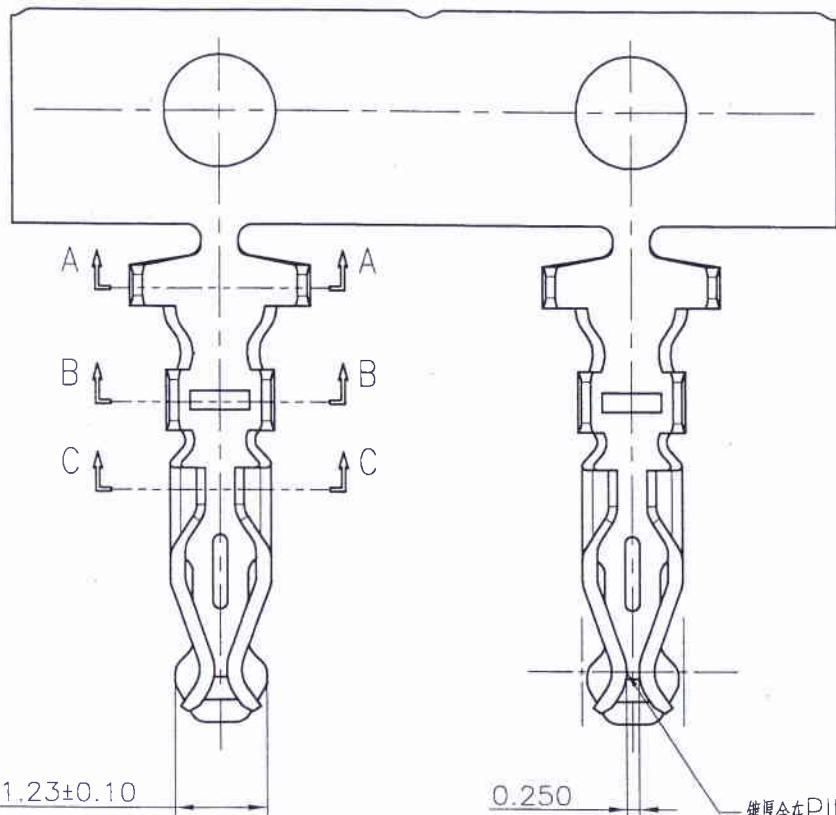
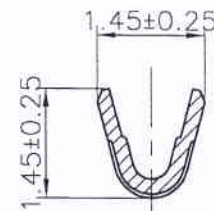


环保物料



SEC:A-A



SEC:B-B



SEC:C-C



Part No.		Wire Range		Insulation O.D.		Material		Qty/reel	
12012TOP-OH-G-NK		AWG #26~#30		1.35mm(max)		Phosphor Bronze Ni 50u"Min. Gold-plated contact area		15,000 pcs	
REV.	REVISION RECORD	DATE	GENERAL TOLERANCES		SCALE:	NAME	DATE	PART NO.	
AO	新图面发行	15.12.16	LINEAR	ANGLES	1:1	伍文聪	15.12.16	12012TOP-0X-G-NK	
			0.0±0.25	X° REF±6°	APPROVED			DWG. NO.	
			UNIT: MM	0.00±0.15	X° ±3°	DESIGNER		ENDE05	
			SIZE: A4	0.000±0.08	X° X' ±2°	DRAWN		REV: AO SHEET: 1/1	

JCTC® 苏州伟聚 东莞胜景
 东莞胜蓝

TITLE: 2.00mm PITCH CRIMP TERMINAL