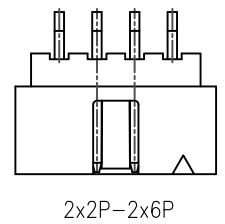
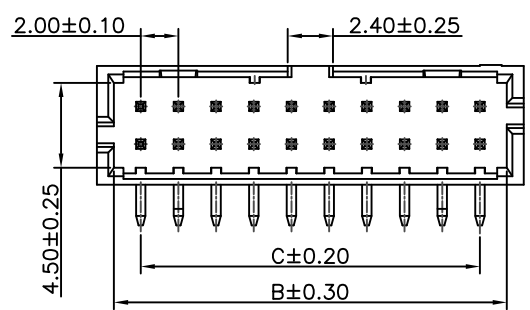
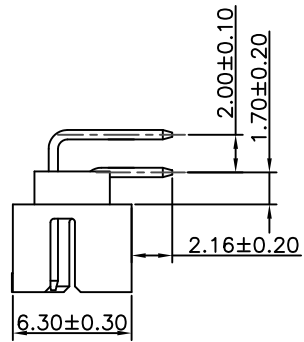
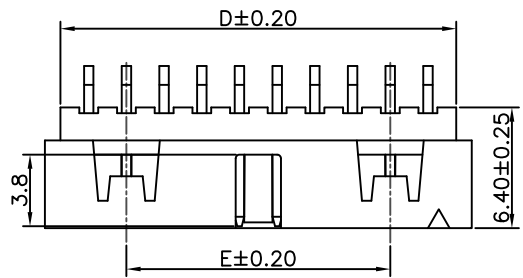
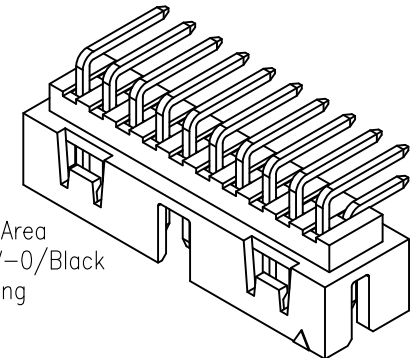


Specifications:
 Rated Voltage : 250V AC/DC
 Rated Current : 2A AC,DC
 Withstand Voltage : 500V AC/minute
 Contact Resistance : 30mΩ(MAX.)
 Insulation Resistance : 800MΩ(MIN.)
 Temperature Range : -25°C~+85°C
 Contact: Brass/Gold-plated On Contact Area
 Insulator: High temperature plastic,UL94V-0/Black
 The product using material and processing must conform to the "WI-PZ-142"HSF technical standard control requirements



- 12012W90-2XNPA-S1-0G-216-NK
 ① ② ③ ④ ⑤ ⑥ ⑦ ⑧
- ① Series No.
 - ② W90 : Side Contact
W00 : Up Contact
 - ③ No. of Circuits
 - ④ A : Product color(A--Y)
A : Black
 - ⑤ S4 : S4 Type
 - ⑥ OD : Gold-plated 4u"
OE : Gold-plated 5u"
OG : Gold-plated 15u"
 - ⑦ 216 : 2.16mm
 - ⑧ NK: No Mark

PART NO.	Dimensions				
	A	B	C	D	E
2x3P	8.65	6.85	4.00	7.00	--
2x4P	10.65	8.85	6.00	9.00	--
2x5P	12.65	10.85	8.00	11.00	--
2x6P	14.65	12.85	10.00	13.00	--
2x7P	16.65	14.85	12.00	15.00	8.00
2x8P	18.65	16.85	14.00	17.00	10.00
2x9P	20.65	18.85	16.00	19.00	12.00
2x10P	22.65	20.85	18.00	21.00	14.00
2x11P	24.65	22.85	20.00	23.00	16.00
2x12P	26.65	24.85	22.00	25.00	18.00
2x13P	28.65	26.85	24.00	27.00	20.00
2x14P	30.65	28.85	26.00	29.00	22.00
2x15P	32.65	30.85	28.00	31.00	24.00
2x16P	34.65	32.85	30.00	33.00	26.00
2x17P	36.65	34.85	32.00	35.00	28.00
2x18P	38.65	36.85	34.00	37.00	30.00
2x19P	40.65	38.85	36.00	39.00	32.00
2x20P	42.65	40.85	38.00	41.00	34.00
2x21P	44.65	42.85	40.00	43.00	36.00
2x22P	46.65	44.85	42.00	45.00	38.00
2x23P	48.65	46.85	44.00	47.00	40.00
2x24P	50.65	48.85	46.00	49.00	42.00
2x25P	52.65	50.85	48.00	51.00	44.00
2x26P	54.65	52.85	50.00	53.00	46.00
2x27P	56.65	54.85	52.00	55.00	48.00
2x28P	58.65	56.85	54.00	57.00	50.00
2x29P	60.65	58.85	56.00	59.00	52.00
2x30P	62.65	60.85	58.00	61.00	54.00

REV.	REVISION RECORD	DATE		GENERAL TOLERANCES		SCALE: 1:1	NAME	DATE	胜蓝科技股份有限公司 TERMINAL&CONNECTORS 东莞市富智达电子科技有限公司	PART NO: 12012W90-2XNPA-S1-XX-216-NK	
A0	新图面发行	19.09.02		LINEAR	ANGLES	APPROVED					
			0.0±0.25	X° REF±6°	DESIGNER			REV: A0			
			UNIT: MM	X° ±3°	DRAWN	伍文聪	19.09.02	SHEET: 1/1			
			SIZE: A4	0.000±0.08	X° X' ±2°				TITLE: 2.00mm PITCH DUAL ROW WAFER DIP TYPE 90/针长2.10mm		