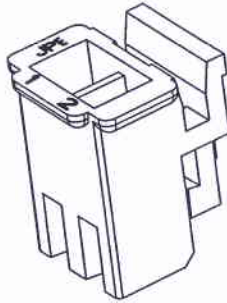
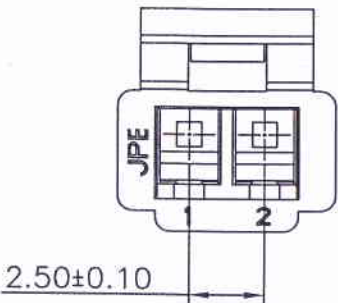
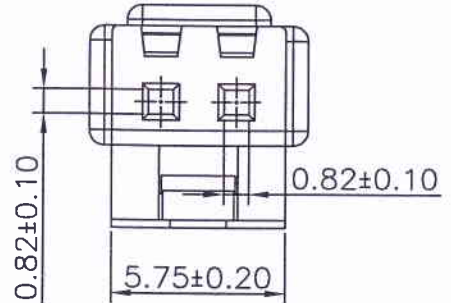
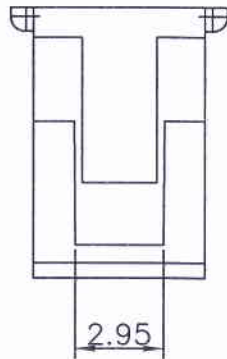
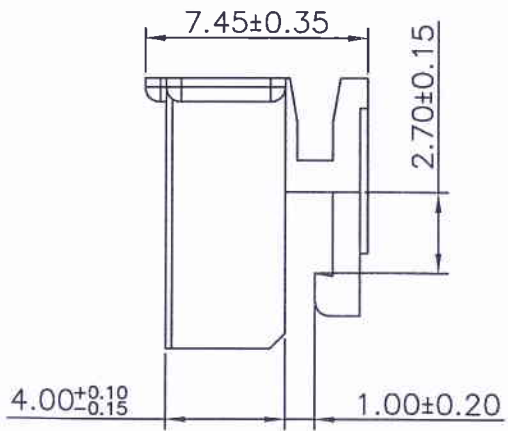
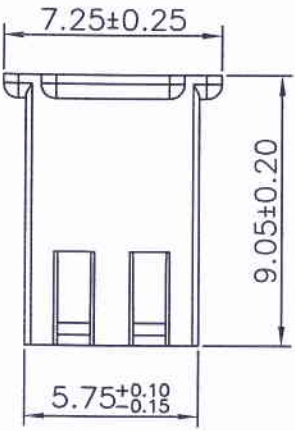


1 2 3 4 5 6 7 8

A
B
C
D
E
F
G
H



Specifications:
 Rated Voltage : 250V AC/DC
 Rated Current : 3A AC,DC
 Withstand Voltage : 1000V AC/minute
 Contact Resistance : 20mΩ(MAX.)
 Insulation Resistance : 1000MΩ(MIN.)
 Temperature Range : -25°C~+85°C
 The product using material and processing must conform to the "WI-PZ-142"HSF technical standard control requirements



12501H00-2PX-L-S2
 ① ② ③④⑤ ⑥

- ① Series No.
- ② H90 : Side Contact
H00 : Up Contact
- ③ No. of Circuits
- ④ A : Black
- ⑤ L : Lock type
- ⑥ S2 : S2 Type

Part No.	Material	Color
12501H00-2P-L-S2	Nylon 66,UL94V-0	Natural(White)
12501H00-2PA-L-S2	Nylon 66,UL94V-0	Black

REV.	REVISION RECORD	DATE	GENERAL TOLERANCES		SCALE:	NAME	DATE	JCTC ® 胜蓝科技股份有限公司 TERMINAL&CONNECTORS 东莞市富智达电子科技有限公司	PART NO:
C1	PIN孔尺寸修正为0.82	13.09.22	LINEAR	ANGLES	1:1				12501H00-2PX-L-S2
C2	新增黑色规格	14.05.26	0.0±0.25	X° REF±6°	APPROVED			DWG. NO:	
C3	修改卡扣形状	15.11.25	0.00±0.15	X° ±3°	DESIGNER	17.09.25		ENDE05	
C4	更换公司名称	16.01.03	0.000±0.08	X° X°±2°	DRAWN	王国伟	16.01.03	REV: C4 SHEET: 1/1	

1 2 3 4 5 6 7 8