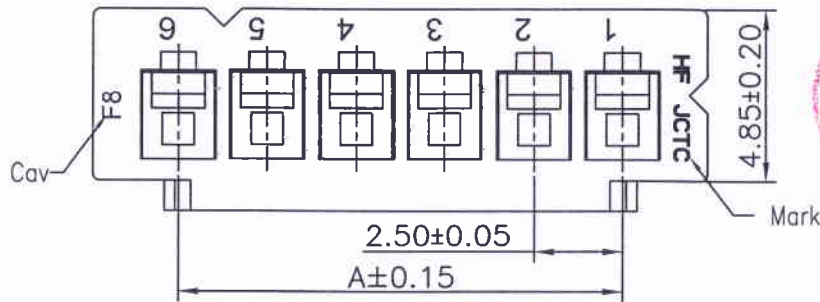
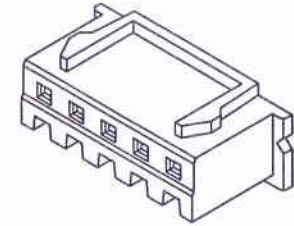


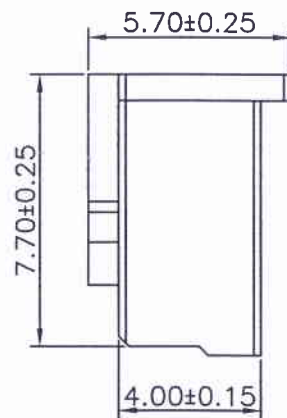
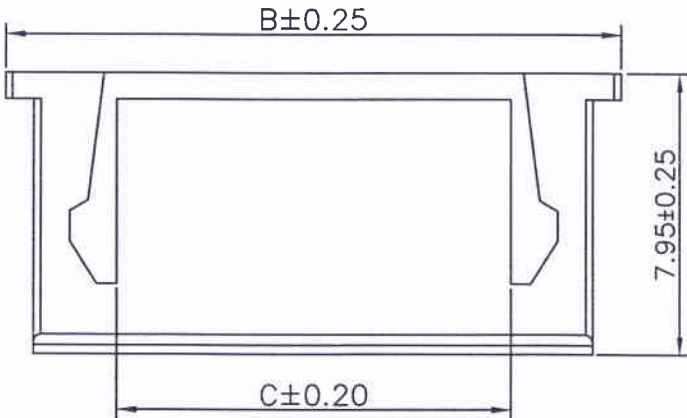
Specifications:
 Rated Voltage : 250V AC/DC
 Rated Current : 3A AC,DC
 Withstand Voltage : 1000V AC/minute
 Contact Resistance : 10mΩ(MAX.)
 Insulation Resistance : 1000MΩ(MIN.)
 Temperature Range : -25°C~+85°C
 The product using material and processing must conform to the "WI-PZ-142" HSF technical standard control requirements



12501H00-NPX-HF
 ① ② ③④ ⑤

- ① Series No.
- ② H90 : Side Contact
H00 : Up Contact
- ③ No. of Circuits
- ④ X : Product color(A--Y)
Blank : Natural type
- ⑤ HF : Halogen Free

Dimensional Ordering Information:				
Circuits Part No	Dimensions			
	A	B	C	D
2P	2.50	7.30	1.00	5.70
3P	5.00	9.80	3.50	8.20
4P	7.50	12.30	6.00	10.70
5P	10.00	14.80	8.50	13.20
6P	12.50	17.30	11.00	15.70
7P	15.00	19.80	13.50	18.20
8P	17.50	22.30	16.00	20.70
9P	20.00	24.80	18.50	23.20
10P	22.50	27.30	21.00	25.70
11P	25.00	29.80	23.50	28.20
12P	27.50	32.30	26.00	30.70
13P	30.00	34.80	28.50	33.20
14P	32.50	37.30	31.00	35.70
15P	35.00	39.80	33.50	38.20
16P	37.50	42.30	36.00	40.70



Part No.	Material	Color
12501H00-NP	Nylon 66,UL94V-0	本色
12501H00-NPC	Nylon 66,UL94V-0	红色
12501H00-NP-HF	Nylon 66,UL94V-0	无卤材料
12501H00-NPC-HF	Nylon 66,UL94V-0	红色无卤
12501H00-NPG-HF	Nylon 66,UL94V-0	蓝色无卤
12501H00-NPA-HF	Nylon 66,UL94V-0	黑色无卤
12501H00-NPE-HF	Nylon 66,UL94V-0	黄色无卤

REV.	REVISION RECORD	DATE	GENERAL TOLERANCES	SCALE: 1:1	NAME	DATE
C5	HN1406230044	14.06.23	LINEAR	APPROVED		
C6	新增红色, 蓝色无卤规格	15.11.04	0.0±0.25	DESIGNER		
D0	新增黄色无卤规格	15.11.06	0.00±0.15	DRAWN	王王伟	17.01.03
D1	更换公司名称	17.01.03	0.000±0.08			

JGTC® 胜蓝科技股份有限公司
 TERMINAL&CONNECTORS 东莞市富智达电子科技有限公司

PART. NO:	12501H00-NPX-XX	
DWG. NO:	ENDE05	
REV:	D1	SHEET: 1/1

TITLE: XH 2.50mm PITCH HOUSING