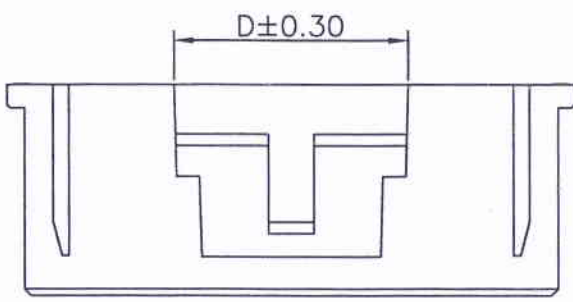
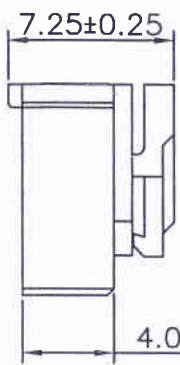
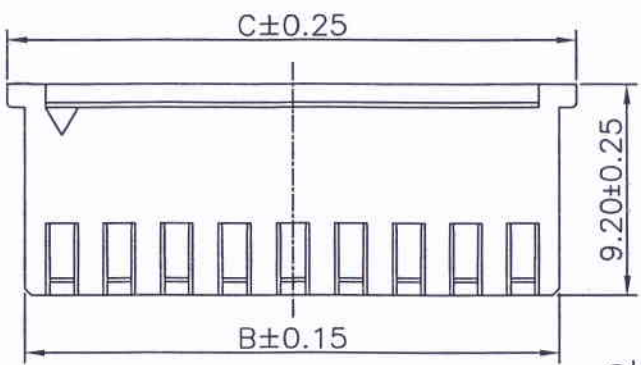
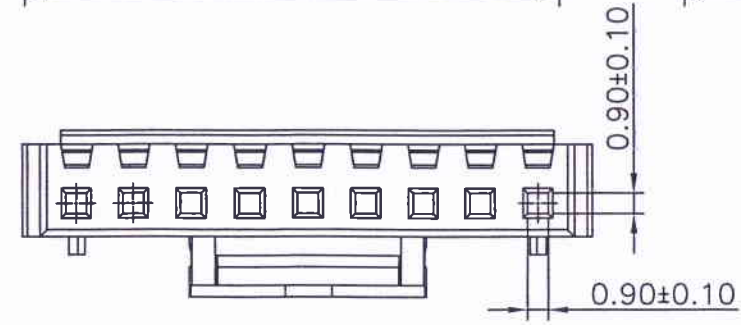


Specifications:
 Rated Voltage : 250V AC/DC
 Rated Current : 3A AC,DC
 Withstand Voltage : 1000V AC/minute
 Contact Resistance : 20mΩ(MAX.)
 Insulation Resistance : 1000MΩ(MIN.)
 Temperature Range : -25°C~+85°C
 The product using material and processing must conform to the "WI-PZ-142"HSF technical standard control requirements



Dimensional Ordering Information:				
Circuits Part No	Dimensions			
	A	B	C	D
2P	--	5.70	7.20	3.00
3P	5.00	8.20	9.70	3.00
4P	7.50	10.70	12.20	5.30
5P	10.00	13.20	14.70	6.50
6P	12.50	15.70	17.20	6.50
7P	15.00	18.20	19.70	10.30
8P	17.50	20.70	22.20	10.30
9P	20.00	23.20	24.70	10.30
10P	22.50	25.70	27.20	15.30
11P	25.00	28.20	29.70	15.30
12P	27.50	30.70	32.20	15.30
13P	30.00	33.20	34.70	15.30
14P	32.50	35.70	37.20	15.30
15P	35.00	38.20	39.70	15.30



- 12501H00-NP-L-HF-S1
 ① ② ③ ④ ⑤ ⑥
- ① Series No.
 - ② H90 : Side Contact
H00 : Up Contact
 - ③ No. of Circuits
 - ④ L : Lock type
 - ⑤ HF : Halogen Free
 - ⑥ S1 : S1 Type



Suitable for JCTC 12501 series terminal

Part No.	Material	Color
12501H00-NP-L-HF-S1	Nylon 66,UL94V-0	无卤材料

REV.	REVISION RECORD	DATE	GENERAL TOLERANCES		SCALE:	NAME	DATE	JCTC ® 胜蓝科技股份有限公司 TERMINAL&CONNECTORS 东莞市富智达电子科技有限公司	PART. NO:
C0	新图面发行	10.06.15	LINEAR	ANGLES	1:1				12501H00-NP-L-XX-S1
C1	更换公司名称	17.01.03	0.0±0.25	X° REF±6°	APPROVED				DWG. NO:
			0.00±0.15	X° ±3°	DESIGNER	王王伟	17.09.25		ENDE05
			UNIT: MM	0.00±0.08	X° X'±2°	DRAWN	王王伟	17.01.03	TITLE:
			SIZE: A4						XH 带扣 2.50mm PITCH HOUSING
									REV: C1 SHEET: 1/1