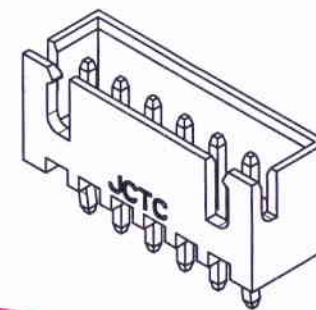


Specifications:
 Rated Voltage : 250V AC/DC
 Rated Current : 3A AC,DC
 Withstand Voltage : 1000V AC/minute
 Contact Resistance : 10mΩ(MAX.)
 Insulation Resistance : 1000MΩ(MIN.)
 Temperature Range : -25°C~+85°C
 Contact: Brass/Tin-plated
 Material: Nylon66 UL94V-0 Halogen Free.
 The product using material and processing must conform to the "WI-PZ-142"HSF technical standard control requirements

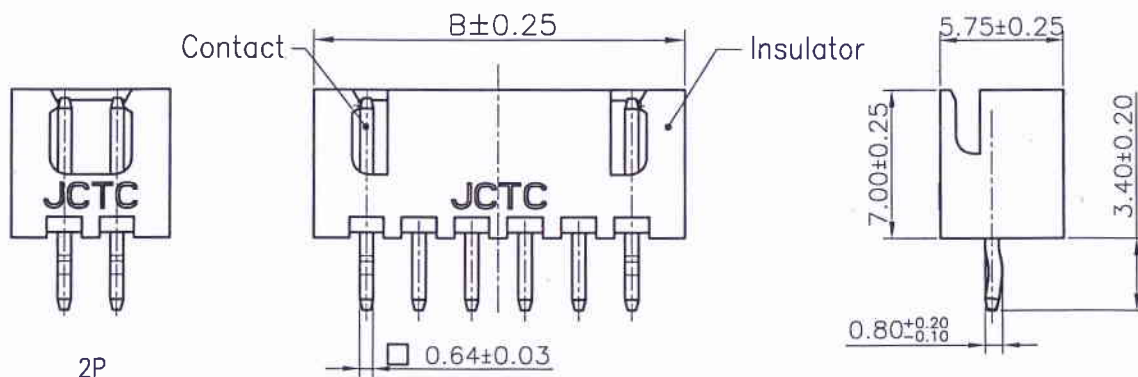


12501W00-NPX-HF
 ① ② ③ ④ ⑤

- ① Series No.
- ② W90 : Side Contact
W00 : Up Contact
- ③ No. of Circuits
- ④ X : Product color(A--Y)
Blank-Natural C-Red
F-Greer G-Blue
- ⑤ HF : Halogen Free



Circuits	Dimensions		
	A	B	C
2P	--	7.50	6.00
3P	5.00	10.00	8.50
4P	7.50	12.50	11.00
5P	10.00	15.00	13.50
6P	12.50	17.50	16.00
7P	15.00	20.00	18.50
8P	17.50	22.50	21.00
9P	20.00	25.00	23.50
10P	22.50	27.50	26.00
11P	25.00	30.00	28.50
12P	27.50	32.50	31.00
13P	30.00	35.00	33.50
14P	32.50	37.50	36.00
15P	35.00	40.00	38.50
16P	37.50	42.50	41.00



REV.	REVISION RECORD	DATE	UNIT: MM	GENERAL TOLERANCES		SCALE: 1:1	NAME	DATE	JCTC® 胜蓝科技股份有限公司 TERMINAL&CONNECTORS 东莞市富智达电子科技有限公司	PART. NO:
C0	新图面发行	13.08.19		SIZE: A4	LINEAR	ANGLES	APPROVED	李国伟		17.06.23
C1	新增颜色规格	14.05.16		0.0±0.25	X° REF±6°	DESIGNER	李国伟	17.06.23	DWG. NO:	
C2	更换公司名称	16.12.26		0.00±0.15	X° ±3°	DRAWN	王国伟	16.12.26	ENDE05	
				0.00±0.08	X° X'±2°				REV: C2 SHEET: 1/1	

1

2

3

4

5

6

7

8