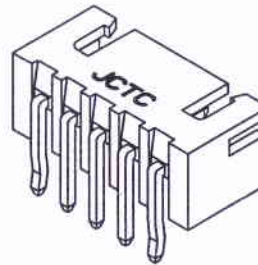
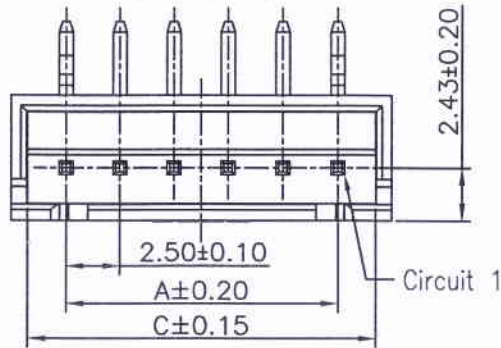
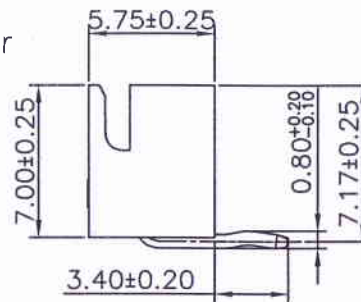
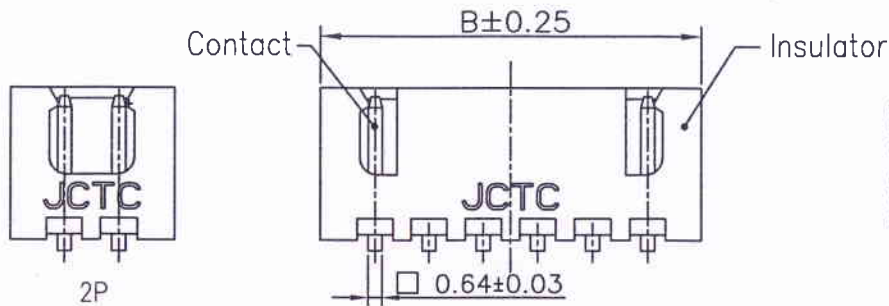


Specifications:
 Rated Voltage : 250V AC/DC
 Rated Current : 3A AC,DC
 Withstand Voltage : 1000V AC/minute
 Contact Resistance : 10mΩ(MAX.)
 Insulation Resistance : 1000MΩ(MIN.)
 Temperature Range : -25°C~+85°C
 Contact: Brass/Tin-plated
 Material: Nylon66 UL94V-0 Halogen Free.
 Color: Natural(White)
 The product using material and processing must conform to the "WI-PZ-142"HSF technical standard control requirements

P.C.B LAYOUT



Circuits	Dimensions		
	A	B	C
2P	--	7.50	6.00
3P	5.00	10.00	8.50
4P	7.50	12.50	11.00
5P	10.00	15.00	13.50
6P	12.50	17.50	16.00
7P	15.00	20.00	18.50
8P	17.50	22.50	21.00
9P	20.00	25.00	23.50
10P	22.50	27.50	26.00
11P	25.00	30.00	28.50
12P	27.50	32.50	31.00
13P	30.00	35.00	33.50
14P	32.50	37.50	36.00
15P	35.00	40.00	38.50
16P	37.50	42.50	41.00



REV.	REVISION RECORD	DATE	GENERAL TOLERANCES		SCALE:	NAME	DATE	PART. NO: 12501W90-NP-A-HF	
C0	新图面发行	13.08.19	LINEAR	ANGLES	1:1				DWG. NO: ENDE05
C1	更换公司名称	17.01.03	0.0±0.25	X° REF±6°	APPROVED	王智达	17.09.25		
			UNIT: MM	0.00±0.15	X° ±3°	DESIGNER	王智达	TITLE: 2.50mm PITCH DIP TYPE 90° WAFER	
			SIZE: A4	0.000±0.08	X° X'±2°	DRAWN	王国伟	17.01.03	REV: C1 SHEET: 1/1

JCTC® 胜蓝科技股份有限公司
 TERMINAL&CONNECTORS 东莞市富智达电子科技有限公司