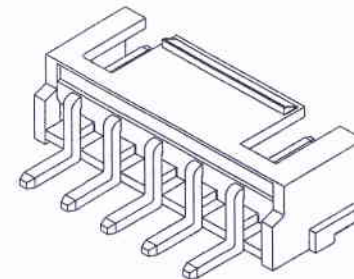
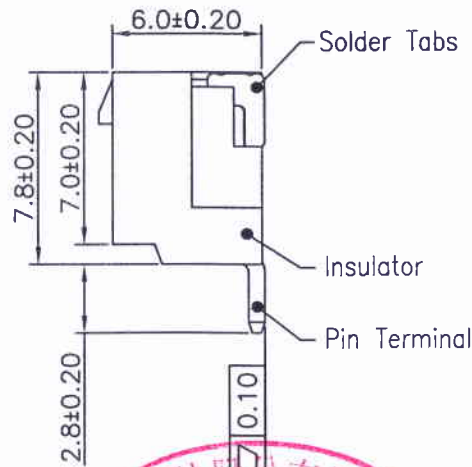
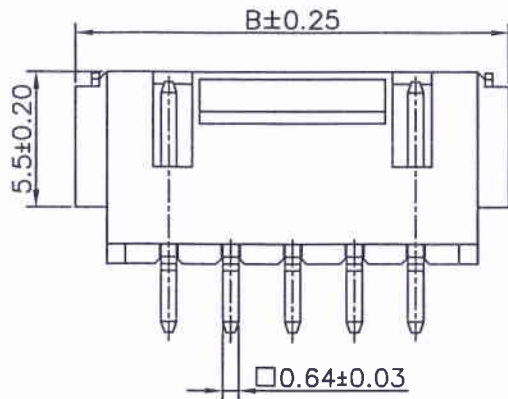


P.C.B. LAYOUT  
General Tolerance: ±0.05



Specifications:  
 Rated Voltage : 250V AC/DC  
 Rated Current : 3A AC,DC  
 Withstand Voltage : 1000V AC/minute  
 Contact Resistance : 20mΩ(MAX.)  
 Insulation Resistance : 1000MΩ(MIN.)  
 Temperature Range : -25°C~+85°C  
 Pin Terminal: Barss/Tin-plated  
 Solder Tabs: Barss/Tin-plated  
 Insulator: LCP,UL94V-0  
 Color: Natural(Beige)  
 The product using material and processing must conform to the "WI-PZ-142"HSF technical standard control requirements



Circuits	Dimensions	
	A	B
4P	7.50	15.00
5P	10.00	17.50
6P	12.50	20.00
7P	15.00	22.50
8P	17.50	25.00
9P	20.00	27.50
10P	22.50	30.00
11P	25.00	32.50
12P	27.50	35.00
13P	30.00	37.50
14P	32.50	40.00
15P	35.00	42.50
16P	37.50	45.00

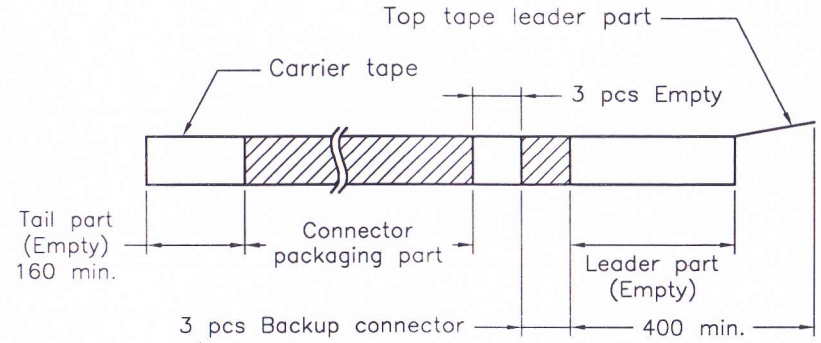
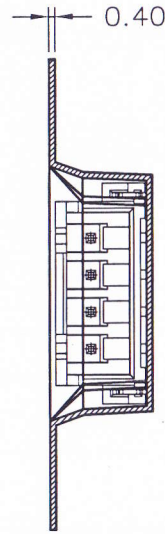
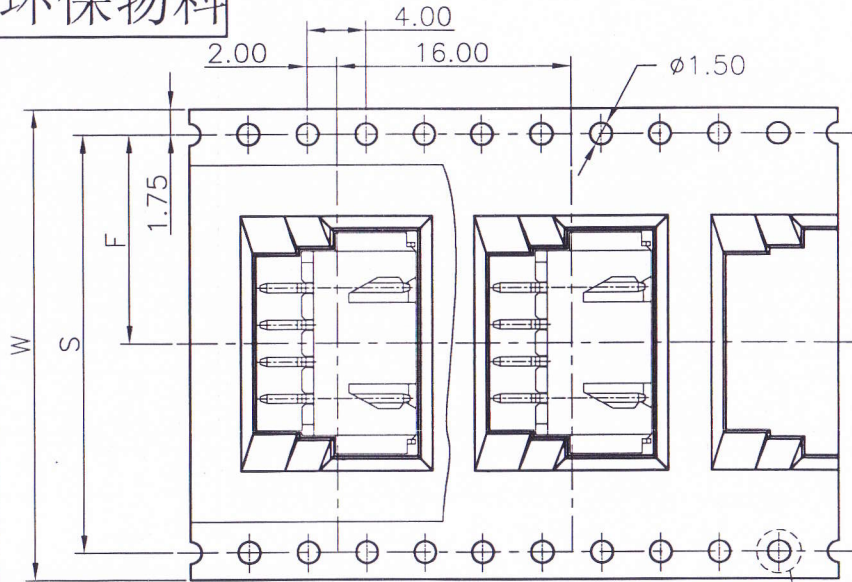
12501W90-NP-S-L-HF-NK  
 ① ② ③ ④ ⑤ ⑥ ⑦

- ① Series No.
- ② W90 : Side Contact  
W00 : Up Contact
- ③ No. of Circuits
- ④ S : SMT type
- ⑤ L : Lock type
- ⑥ HF : Halogen Free
- ⑦ NK : No Mark

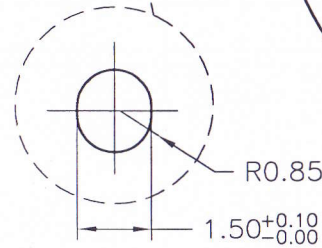
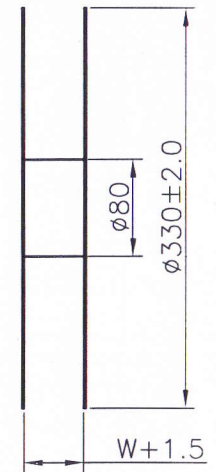
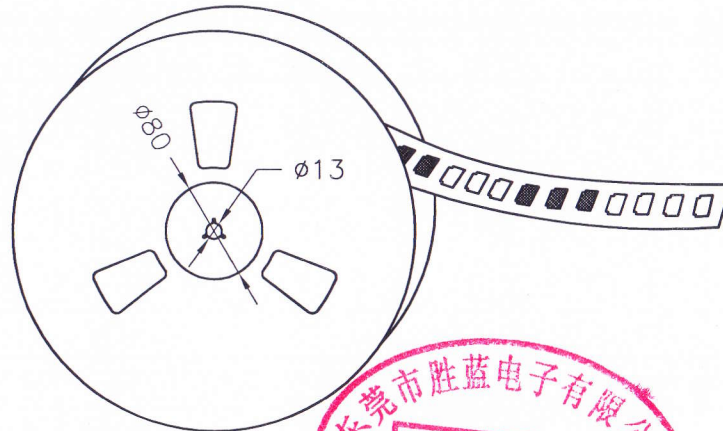
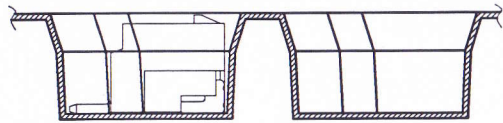


REV.	REVISION RECORD	DATE	GENERAL TOLERANCES	SCALE:	NAME	DATE	JGTC® 胜蓝科技股份有限公司 TERMINAL&CONNECTORS 东莞市富智达电子科技有限公司	PART. NO:
A0	新图面发行	15.01.21	LINEAR	1:1				
A1	更换公司名称	17.01.03	ANGLES	APPROVED				
			0.0±0.25	DESIGNER				
			0.00±0.15	DRAWN				
			0.000±0.08		王国伟	17.01.03	TITLE:	ENDE05
							XH 2.50mm Pitch 90° SMT Type Wafer	REV: A1 SHEET: 1/2

环保物料



Unreeling direction →



Number of Contacts	W±0.3	F±0.1	S±0.1	Q'ty/Reel
4P~5P	32	14.20	28.40	500
6P~11P	44	20.20	40.40	500
12P~14P	56	26.20	52.40	500
14P~16P	77	36.70	73.40	500

REV.	REVISION RECORD	DATE	UNIT: MM	GENERAL TOLERANCES		SCALE: 1:1	NAME	DATE	JCTC® <input type="checkbox"/> 苏州伟聚 <input type="checkbox"/> 东莞胜景 TERMINAL&CONNECTORS ■ 东莞胜蓝	PART. NO:
A0	新图面发行	15.01.21		0.0±0.25	ANGLES	APPROVED	李峰权	1/21/2015		
			0.00±0.15	X° REF±6°	DESIGNER	伍文聪	15.01.21		DWG. NO:	
			SIZE: A4	X° ±3°	DRAWN	伍文聪	15.01.21	TITLE:	ENDE05	
				X° X'±2°				XH 2.50mm Pitch 90° SMT Type Wafer	REV: A0	SHEET: 2/2