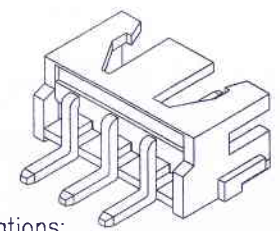
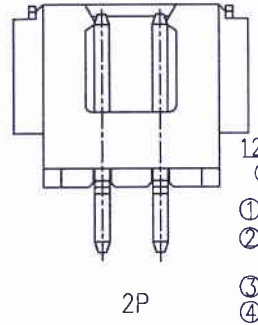
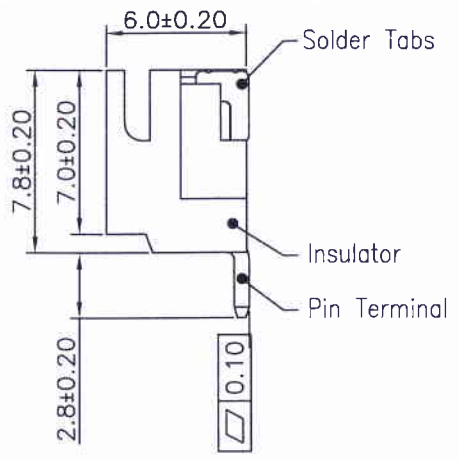
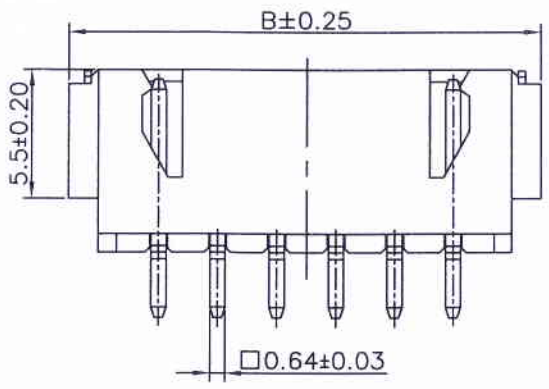


P.C.B. LAYOUT  
General Tolerance: ±0.05



Specifications:  
 Rated Voltage : 250V AC/DC  
 Rated Current : 3A AC,DC  
 Withstand Voltage : 1000V AC/minute  
 Contact Resistance : 20mΩ(MAX.)  
 Insulation Resistance : 1000MΩ(MIN.)  
 Temperature Range : -25°C~+85°C  
 Pin Terminal: Barss/Tin-plated  
 Solder Tabs: Barss/Tin-plated  
 The product using material and processing must conform to the "WI-PZ-142"HSF technical standard control requirements



- 12501W90-NPA-S-HX-XX-NK-R  
 ① ② ③④⑤⑥ ⑦ ⑧ ⑨
- ① Series No.
  - ② W90 : Side Contact  
W00 : Up Contact
  - ③ No. of Circuits
  - ④ A: Black
  - ⑤ S : SMT type
  - ⑥ H1 : Nylon 9T  
H2 : HTN
  - ⑦ HF : Halogen Free
  - ⑧ NK : No Mark
  - ⑨ R : Tape & Reel

Circuits	Dimensions	
	A	B
2P	--	10.00
3P	5.00	12.50
4P	7.50	15.00
5P	10.00	17.50
6P	12.50	20.00
7P	15.00	22.50
8P	17.50	25.00
9P	20.00	27.50
10P	22.50	30.00
11P	25.00	32.50
12P	27.50	35.00
13P	30.00	37.50
14P	32.50	40.00
15P	35.00	42.50
16P	37.50	45.00



Part No.	Material	Color
12501W90-NP-S-H1-NK-R	Nylon 9T,UL94V-0	Natural(Beige)
12501W90-NP-S-H2-HF-NK-R	HTN,UL94V-0	Natural(Beige)
12501W90-NPA-S-H2-HF-NK-R	HTN,UL94V-0	black

REV.	REVISION RECORD	DATE
C0	新图面发行	13. 10. 16
C1	新增无卤材料	16. 10. 19

GENERAL TOLERANCES	
LINEAR	0.0±0.25
ANGLES	X° REF±6°
	0.00±0.15
	X° ±3°
	0.000±0.08
	X° X'±2°

SCALE:	NAME	DATE
1:1		
APPROVED:		
DESIGNER:		
DRAWN:	伍文聪	18.03.20

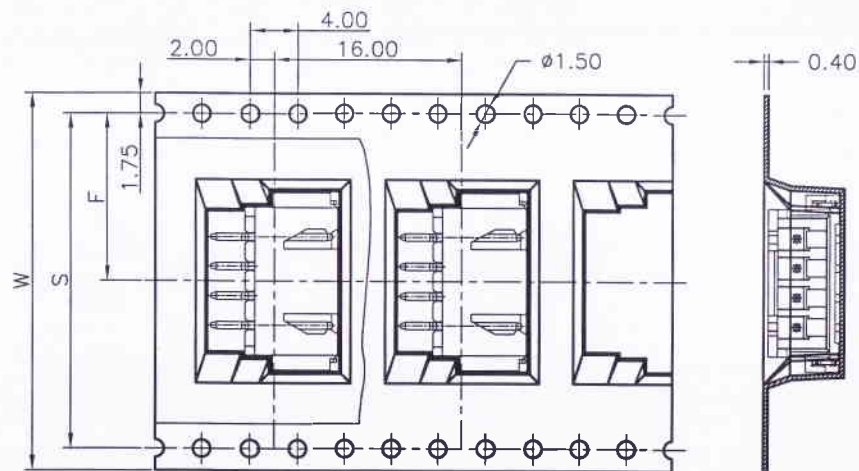
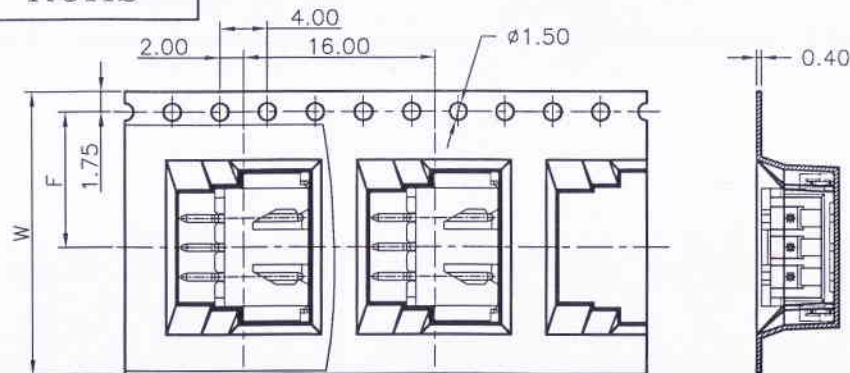
**JCTC** 胜蓝科技股份有限公司  
 TERMINAL&CONNECTORS 东莞市富智达电子科技有限公司  
 TITLE: XH 2.50mm Pitch 90° SMT Type Wafer

PART-NO:
12501W90-NP-S-XX-XX-NK
DWG. NO:
ENDE05
REV:
C1
SHEET:
1/2

RoHS

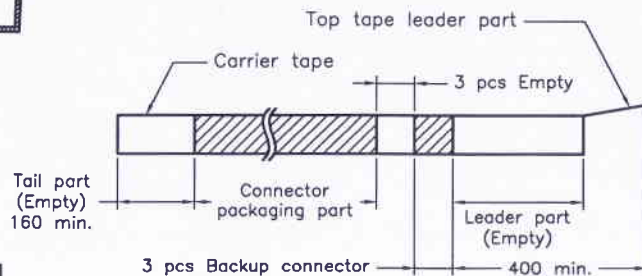
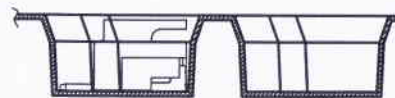
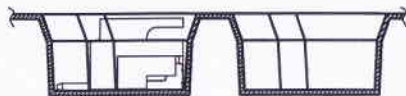
2~3 Contacts

4~16 Contacts

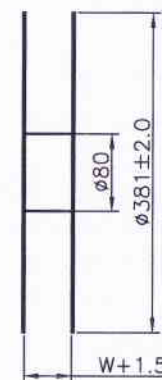
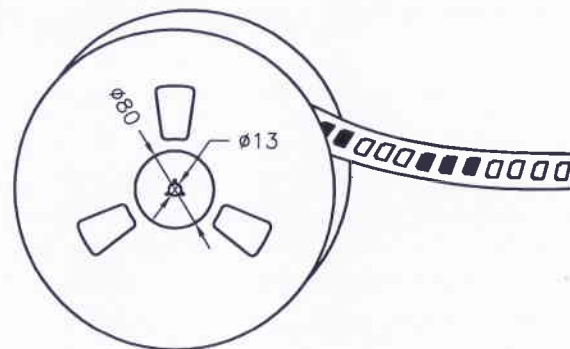
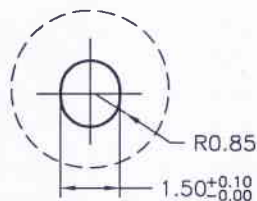


Unreeling direction →

Unreeling direction →



Number of Contacts	W±0.3	F±0.1	S±0.1	Q'ty/Reel
02P	24	11.50		500
03P	24	11.50		500
04P	32	14.20	28.40	500
05P	32	14.20	28.40	500
06P	44	20.20	40.40	500
07P	44	20.20	40.40	500
08P	44	20.20	40.40	500
09P	44	20.20	40.40	500
10P	44	20.20	40.40	500
11P	44	20.20	40.40	500
12P	56	26.20	52.40	500
13P	56	26.20	52.40	500
14P	56	26.20	52.40	500
15P	77	36.70	73.40	500
16P	77	36.70	73.40	500



REV.	REVISION RECORD	DATE	GENERAL TOLERANCES		SCALE:	NAME	DATE	PART. NO: 12501W90-NP-S-XX-XX-NK
C0	新图面发行	13. 10. 16	LINEAR	ANGLES	1:1			
C1	新增无卤材料	16. 10. 19	0.0 ± 0.25	X° REF ± 6°	APPROVED	王國偉	16.10.19	
			UNIT: MM	0.00 ± 0.15	DESIGNER	王國偉	16.10.19	
			SIZE: A4	0.000 ± 0.08	DRAWN	王國偉	16. 10. 19	
TITLE: XH 2.50mm Pitch 90° SMT Type Wafer							DWG. NO: ENDE05	
							REV: C1	SHEET: 2/2