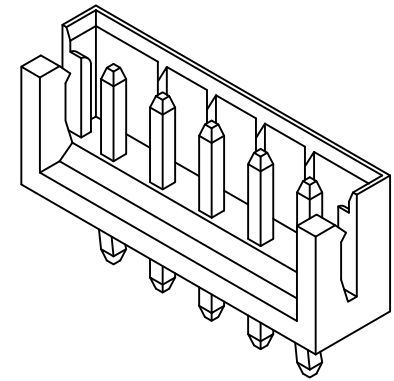


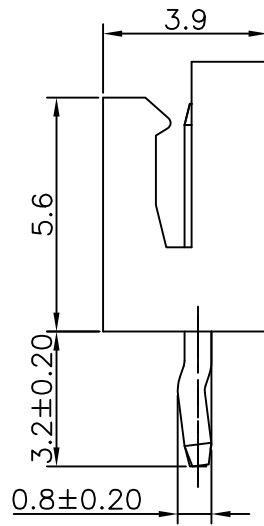
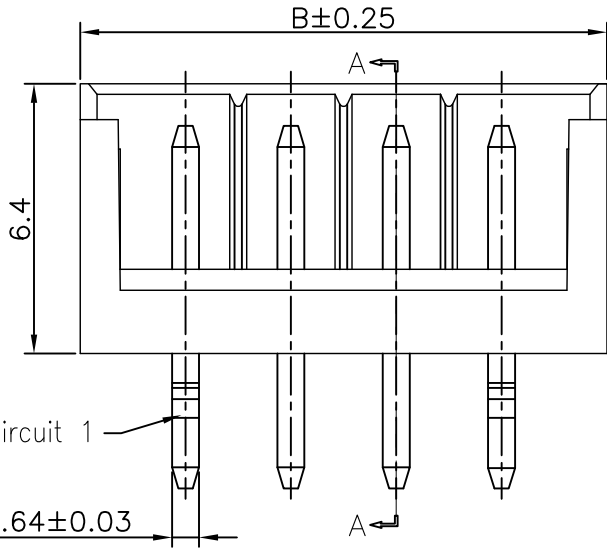
P.C.B LAYOUT



Specifications

Voltage Rating: 250V AC,DC  
 Current Rating: 3A AC,DC  
 Withstanding Voltage: 800V AC/minute  
 Contact Resistance: 10mΩ Max  
 Insulation Resistance: 1000MΩ Min  
 Temperature Range: -25°C ~ +85°C  
 The product using material and processing must conform to the "WI-PZ-142"HSF technical standard control requirements

Circuits Part No	Dimensions	
	A	B
2P	2.50	7.50
3P	5.00	10.00
4P	7.50	12.50
5P	10.00	15.00
6P	12.50	17.50
7P	15.00	20.00
8P	17.50	22.50
9P	20.00	25.00
10P	22.50	27.50
11P	25.00	30.00
12P	27.50	32.50
13P	30.00	35.00
14P	32.50	37.50
15P	35.00	40.00
16P	37.50	42.50



12502W00-NP X-HF-NK

① ② ③ ④ ⑤ ⑥

- ① Series No.
- ② W90 : Side Contact  
W00 : Up Contact
- ③ No. of Circuits
- ④ X : Product color(A--Y)  
A : Black
- ⑤ HF : Halogen Free
- ⑥ NK : No Mark

Suitable for JCTC 12502 series terminal

Part No.	Material	Color	Pin Material
12502W00-NP-HF-NK	Nylon 66,UL94V-0	Natural(White)	Brass/Tin-plated
12502W00-NPA-HF-NK	Nylon 66,UL94V-0	Black	Brass/Tin-plated

REV.	REVISION RECORD	DATE		GENERAL TOLERANCES		SCALE:	NAME	DATE	胜蓝科技股份有限公司 TERMINAL&CONNECTORS 东莞市富智达电子科技有限公司	PART NO.:		
A0	新图面发行	19.04.18		LINEAR	ANGLES	1:1				APPROVED	12502W00-NPX-HF-NK	
			0.0±0.25	X° REF±6°		DESIGNER				DWG. NO.:		
			0.00±0.15	X° ±3°		DRAWN	伍文聪	19.04.18		ENDE05		
			UNIT: MM	0.00±0.08	X° X'±2°				TITLE:	EH 2.50mm PITCH WAFER DIP 180° /高6.4	REV: A0	SHEET: 1/1