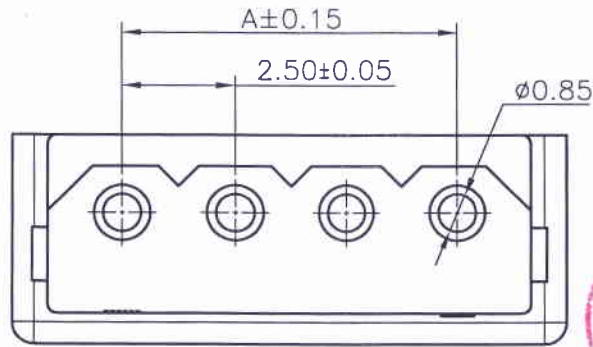
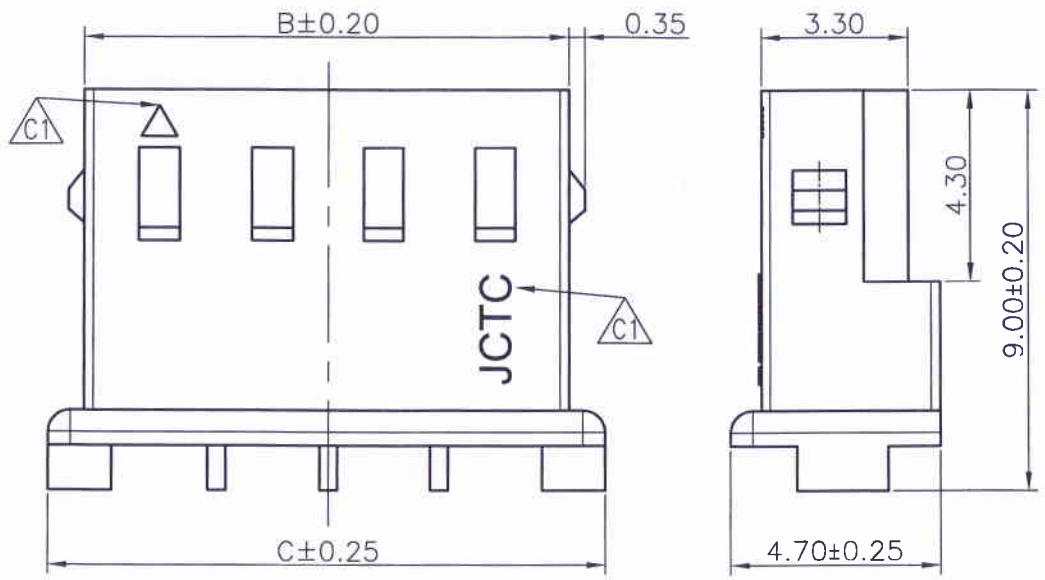


RoHS



Specifications:
 Rated Voltage : 250V AC/DC
 Rated Current : 3A AC,DC
 Withstand Voltage : 1000V AC/minute
 Contact Resistance : 20mΩ(MAX.)
 Insulation Resistance : 1000MΩ(MIN.)
 Temperature Range : -25°C~+85°C
 Pitch Between Poles : 2.50mm

Dimensional Ordering Information:			
Circuits Part No	Dimensions		
	A	B	C
2P	2.5	5.8	7.4
3P	5.0	8.3	9.9
4P	7.5	10.8	12.4
5P	10.0	13.3	14.9
6P	12.5	15.8	17.4
7P	15.0	18.3	19.9
8P	17.5	20.8	22.4
9P	20.0	23.3	24.9
10P	22.5	25.8	27.4
11P	25.0	28.3	29.9
12P	27.5	30.8	32.4
13P	30.0	33.3	34.9
14P	32.5	35.8	37.4
15P	35.0	38.3	39.9
16P	37.5	40.8	42.4
17P	40.0	43.3	44.9
18P	42.5	45.8	47.4
19P	45.0	48.3	49.9
20P	47.5	50.8	52.4



12503H00-NPX-XX
 ① ② ③ ④ ⑤

- ① Series No.
- ② H90 : Side Contact
H00 : Up Contact
- ③ No. of Circuits
- ④ X : Product color(A--Y)
K-- White; E=Beige
- ⑤ HF : Halogen Free
CS : CS type

Suitable for JCTC 12503 series terminal

Part No.	Material	Color
12503H00-NPK	Nylon 66,UL 94V-0	白色
12503H00-NPE	Nylon 66,UL 94V-0	米黄色
12503H00-NP-HF	Nylon 66,UL 94V-0	白色无卤
12503H00-NPE-HF	Nylon 66,UL 94V-0	黄色无卤
12503H00-NPM-HF	Nylon 66,UL 94V-0	米黄色无卤
12503H00-NPM-HF-01	Nylon 66,UL 94V-0	米黄色无卤
12503H00-NPK-CS	Nylon 66,UL 94V-0	白色
12503H00-NPE-CS	Nylon 66,UL 94V-0	米黄色

REV.	REVISION RECORD	DATE	GENERAL TOLERANCES	SCALE:	NAME	DATE	JCTC® 胜蓝科技股份有限公司 TERMINAL&CONNECTORS 东莞市富智达电子科技有限公司	PART. NO:
C0	新图面发行	09.12.31	LINEAR	1:1				12503H00-NPX-XX
C1	TN1008230063	10.08.23	0.0±0.25	APPROVED				
C2	新增米黄色无卤规格	13.08.09	0.00±0.15	DESIGNER	17.06.12			
C3	依170327060新增米黄色规格	17.06.12	0.000±0.08	DRAWN	卢小锋	17.06.12		
TITLE: MOLEX-5264 2.50mm PITCH HOUSING							DWG. NO: ENDE05	
							REV: C3	SHEET: 1/1