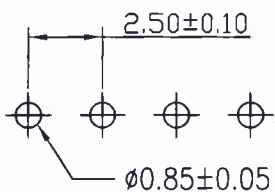
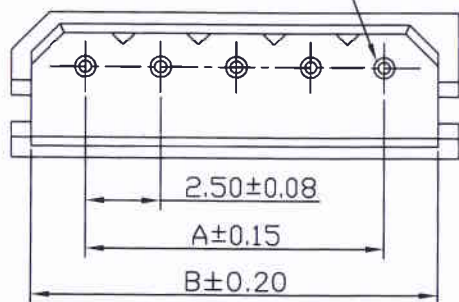
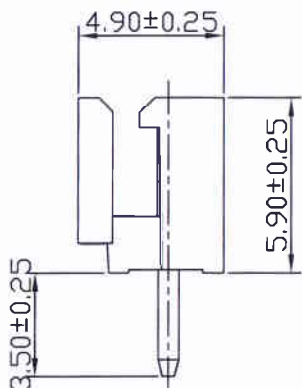
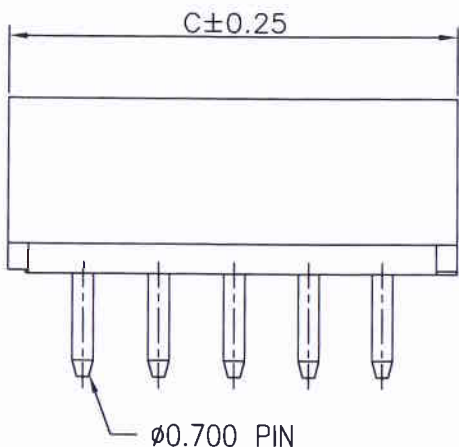


环保物料

Circuit 1



P.C.B LAYOUT



NOTES:

Rated Voltage : 250V AC/DC

Rated Current : 3A AC,DC

Withstand Voltage : 1000V AC/minute

Contact Resistance : 20mΩ(MAX.)

Insulation Resistance : 1000MΩ(MIN.)

Temperature Range : -25°C~+85°C

Insulator : Nylon 66 UL94V-0

Contact : Brass/Tin-plated

12503W00-NPX-W2

① ② ③④ ⑤

① Series No.

② W00 : Up Contact

③ No. of Circuits

④ X : Product color(A--Y)

Blank: Natural type

E: Beige A: Black

C: Red

⑤ W2 : W2 Type

Circuits Part No	Dimensions		
	A	B	C
2P	2.50	6.10	7.50
3P	5.00	8.60	10.00
4P	7.50	11.10	12.50
5P	10.00	13.60	15.00
6P	12.50	16.10	17.50
7P	15.00	18.60	20.00
8P	17.50	21.10	22.50
9P	20.00	23.60	25.00
10P	22.50	26.10	27.50
11P	25.00	28.60	30.00
12P	27.50	31.10	32.50
13P	30.00	33.60	35.00
14P	32.50	36.10	37.50
15P	35.00	38.60	40.00



REV.	REVISION RECORD	DATE	UNIT: MM	GENERAL TOLERANCES	SCALE:	NAME	DATE	JCTC® TERMINAL&CONNECTORS	PART. NO: 12503W00-NPX-W2
A0	新图面发行	16.01.07		LINEAR	1:1				
A1	新增红色 黑色规格	16.01.21		ANGLES	APPROVED	Frank-chen 2/11/16		TITLE: MX 2.50mm PITCH WAFER	REV: A1 SHEET: 1/1
			SIZE: M4	0.0 ± 0.25	X° REF ± 6°	DESIGNER	王 2016.01.21		
				0.00 ± 0.15	X° ± 3°	DRAWN	王国伟		
				0.000 ± 0.08	X° X' ± 2°				