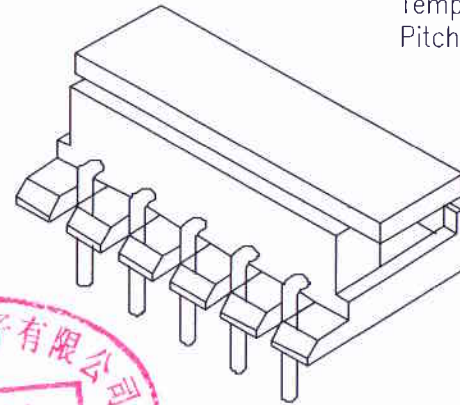
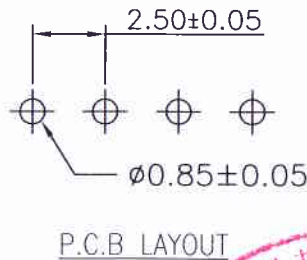
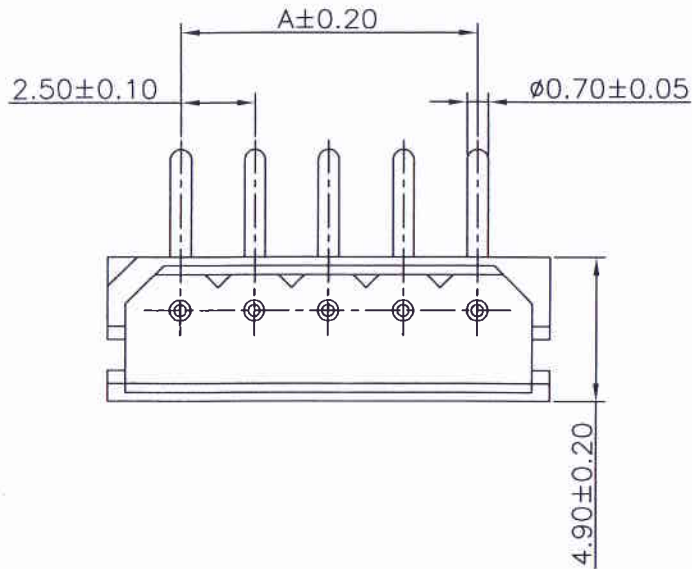


环保物料

Specifications:  
 Rated Voltage : 250V AC/DC  
 Rated Current : 3A AC,DC  
 Withstand Voltage : 1000V AC/minute  
 Contact Resistance : 20mΩ(MAX.)  
 Insulation Resistance : 1000MΩ(MIN.)  
 Temperature Range : -25°C~+85°C  
 Pitch Between Poles : 2.50mm

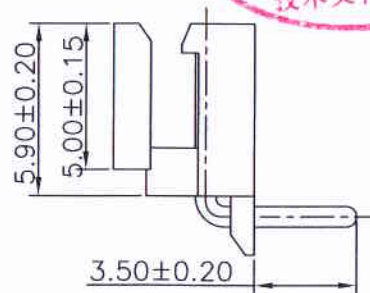
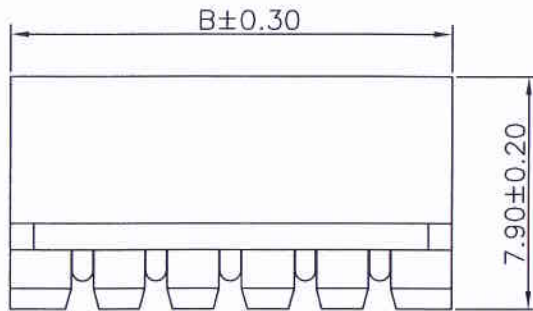


Dimensional Ordering Information:		
Circuits Part No	Dimensions	
	A	B
2P	2.50	7.50
3P	5.00	10.00
4P	7.50	12.50
5P	10.00	15.00
6P	12.50	17.50
7P	15.00	20.00
8P	17.50	22.50
9P	20.00	25.00
10P	22.50	27.50
11P	25.00	30.00
12P	27.50	32.50
13P	30.00	35.00
14P	32.50	37.50
15P	35.00	40.00
16P	37.50	42.50



12503W90-NPX-XX  
 ① ② ③④ ⑤

- ① Series No.
- ② W90 : Side Contact  
W00 : Up Contact
- ③ No. of Circuits
- ④ X : Product color(A--Y)  
K : White; E : Beige
- ⑤ W1 : W1 type



Part No.	Material	Color	PIN Material
12503W90-NPE-W1	Nylon 66,UL 94V-0	米黄色	Brass/Tin plated

REV.	REVISION RECORD	DATE	UNIT: MM	GENERAL TOLERANCES		SCALE: 1:1	NAME	DATE
AO	新图面发行	15.07.23		LINEAR	ANGLES	APPROVED		
			0.0±0.25	X° REF±6°	DESIGNER			
			0.00±0.15	X° ±3"	DRAWN			
			0.000±0.08	X° X'±2°			祁宜辉	15.07.23

**JCTC**®  
 TERMINAL&CONNECTORS  
 □ 苏州伟聚 □ 东莞胜景  
 ■ 东莞胜蓝  
 TITLE: MOLEX-5268 2.50mm PITCH WAFER

PART. NO:	
12503W90-NPX-W1	
DWG. NO:	
ENDE05	
REV:	SHEET:
A0	1/1