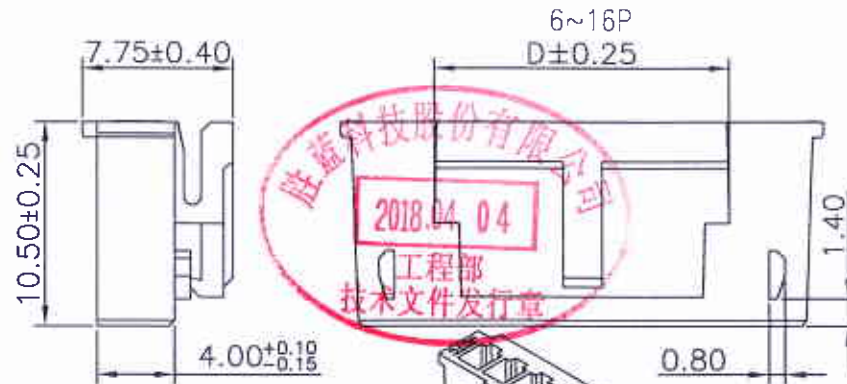
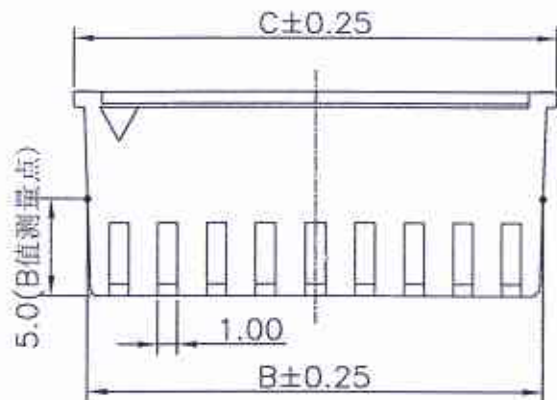
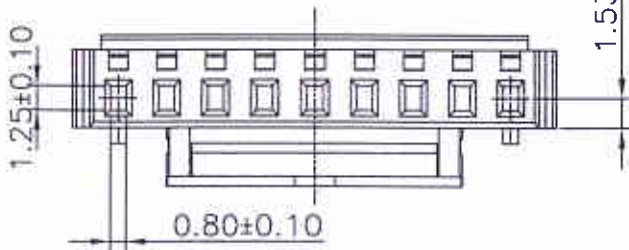


Specifications:  
 Rated Voltage : 250V AC/DC  
 Rated Current : 3A AC,DC  
 Withstand Voltage :1000V AC/minute  
 Contact Resistance : 30mΩ(MAX.)  
 Insulation Resistance : 1000MΩ(MIN.)  
 Temperature Range : -25°C~+85°C  
 The product using material and processing must conform to the "WI-PZ-142"HSF technical standard control requirements

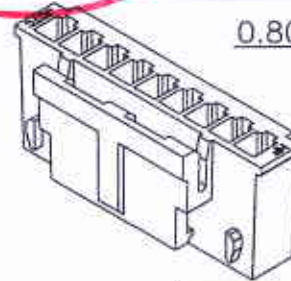


Circuits Part No	Dimensions			
	A	B	C	D
2P	--	5.70	7.20	3.00
3P	5.00	8.20	9.70	3.00
4P	7.50	10.70	12.20	5.00
5P	10.00	13.20	14.70	5.00
6P	12.50	15.70	17.20	10.00
7P	15.00	18.20	19.70	12.60
8P	17.50	20.70	22.20	15.10
9P	20.00	23.20	24.70	15.10
10P	22.50	25.70	27.20	17.60
11P	25.00	28.20	29.70	17.60
12P	27.50	30.70	32.20	17.60
13P	30.00	33.20	34.70	17.60
14P	32.50	35.70	37.20	17.60
15P	35.00	38.20	39.70	17.60
16P	37.50	40.70	42.20	17.60



12504H00-NPX-L-HF  
 ① ② ③④⑤⑥

- ① Series No.
- ② H90 : Side Contact  
H00 : Up Contact
- ③ No. of Circuits
- ④ C : Product color(A--Y)
- ⑤ L : Lock Type
- ⑥ HF : Halogen Free



Suitable for JCTC 12504TOP-2-L terminal

Part No.	Material	Color
12504H00-NP-L-HF	Nylon 66,UL94V-0	Natural(White)
12504H00-NPG-L	Nylon 66,UL94V-0	Blue
12504H00-NPC-L-HF	Nylon 66,UL94V-0	Red
12504H00-NPG-L-HF	Nylon 66,UL94V-0	Blue

REV.	REVISION RECORD	DATE	GENERAL TOLERANCES	SCALE:	NAME	DATE	PART. NO: 12504H00-NPX-L-XX
C2	新增加蓝色规格	12.10.12	LINEAR	1:1			
C3	新增加16pin规格	15.10.19	ANGLES	APPROVED			
C4	变更公司名称	17.05.27	0.00±0.25 X° REF±6°	DESIGNER			REV: C5 SHEET: 1/1
C5	新增加蓝色规格	18.04.03	0.00±0.15 X° ±0°	DRAWN	罗春成	18.04.03	
			0.000±0.08 X° X'±2°	TITLE: SMH 带扣 2.50mm PITCH HOUSING			

JCTC® 胜蓝科技股份有限公司  
 TERMINAL&CONNECTORS 东莞市富智达电子科技有限公司