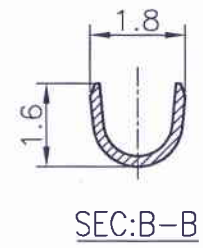
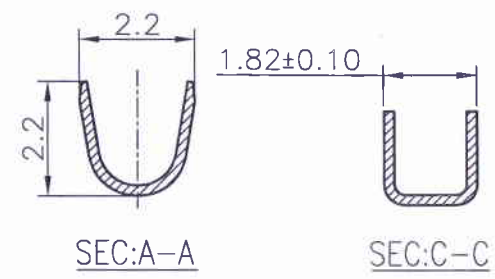
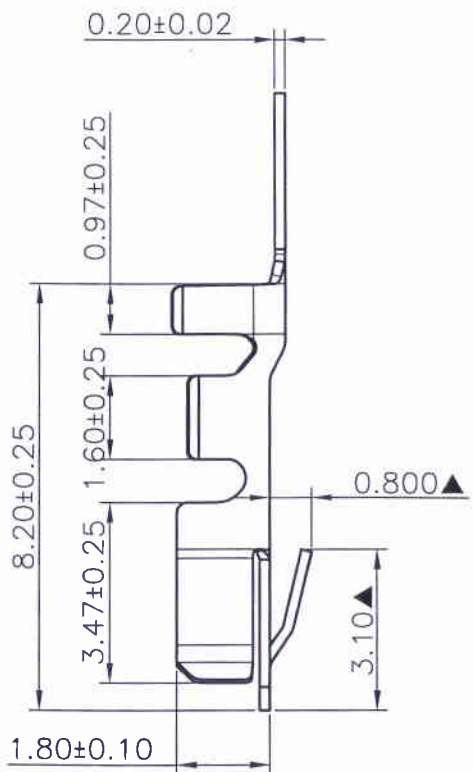
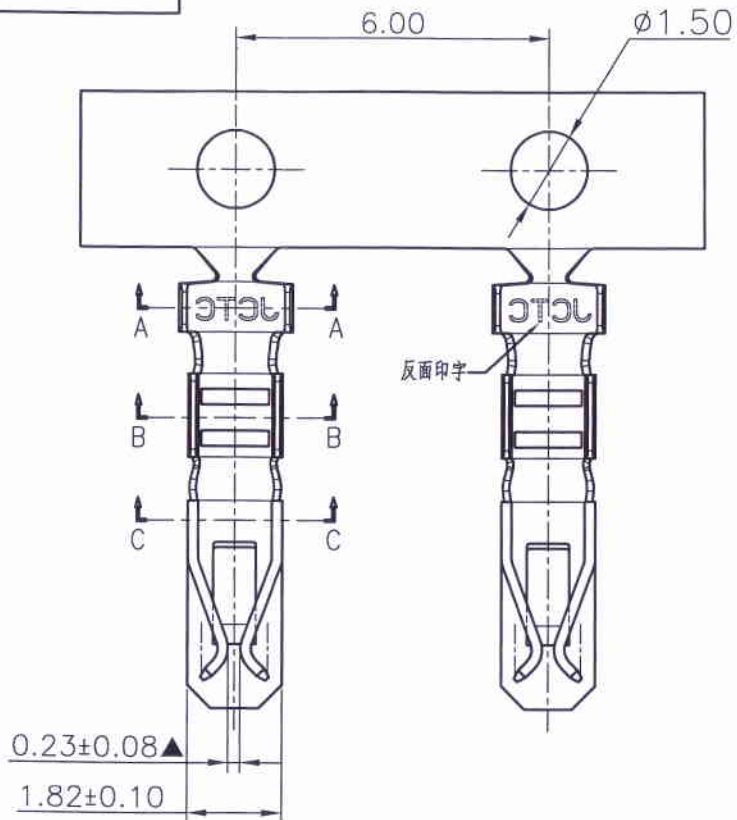


RoHS



12504 T O P -XX - L
 Series — Terminal — Material — P: Phosphor Bronze Plating —
 2: Tin-plated (Plating before stamping)
 2E: Tin-plated (stamping before Plating)

Part No	Wire Range	Insulation O.D.	Material	Finish	Qty/reel
12504TOP-2-L	AWG#22~#28	1.70mm(max)	Phosphor Bronze	Tin-plated	10,000 pcs
12504TOP-2E-L	AWG#22~#28	1.70mm(max)	Phosphor Bronze	Tin-plated	10,000 pcs

REV.	REVISION RECORD	DATE	UNIT: MM	SIZE: A4	GENERAL TOLERANCES	SCALE: 1:1	NAME	DATE	JCTC® 胜蓝科技股份有限公司	PART. NO:
C0	换图框发行	10.10.16			LINEAR				TERMINAL&CONNECTORS 东莞市富智达电子科技有限公司	12504TOP-XX-L
C1	TR1010210108	16.09.13			0.0±0.25	ANGLES				DWG. NO:
C2	依开发单160907175增加2E规格	17.05.27			0.00±0.15	X° REF±6°				ENDE05
					0.00±0.15	X° ±3°	DESIGNER	17.05.27	TITLE:	REV: A2
					0.000±0.08	X° X'±2°	DRAWN	伍文聪	17.05.27	SHEET: 1/1

YST025 端子