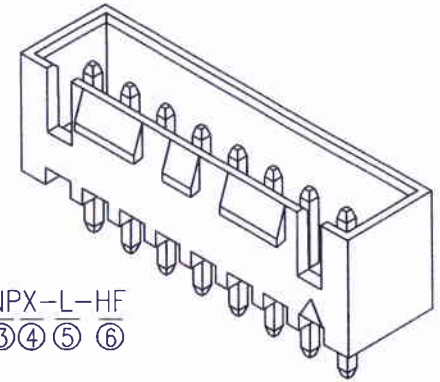
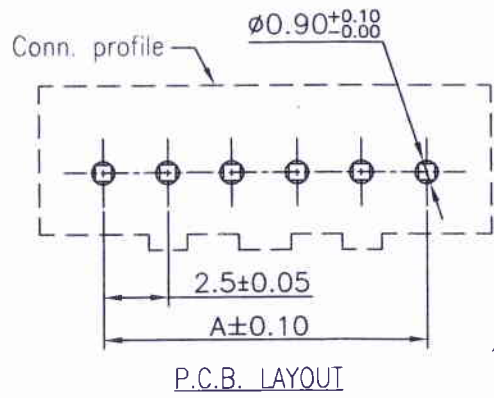
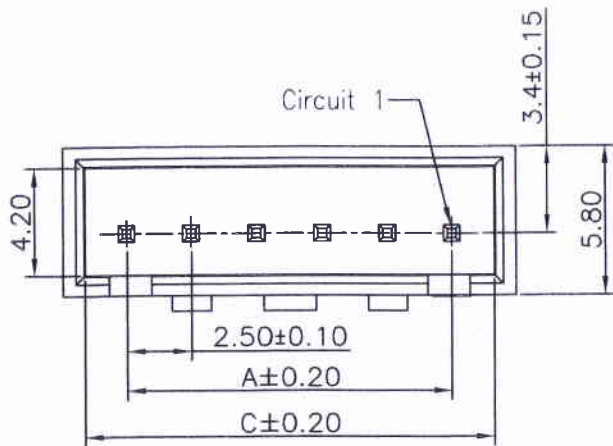


1 2 3 4 5 6 7 8

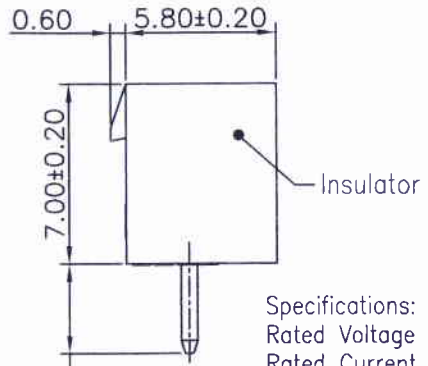
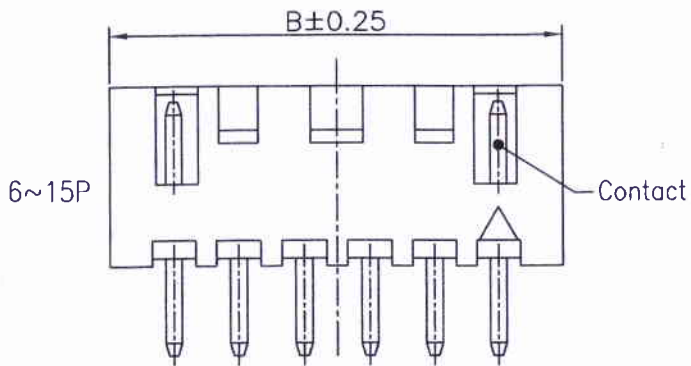
A B C D E F G

A B C D E F G



12504W00-NPX-L-HF
① ② ③④⑤⑥

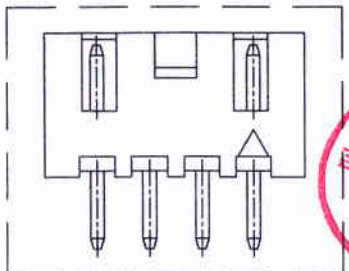
- ① Series No.
- ② W90 : Side Contact
W00 : Up Contact
- ③ No. of Circuits
- ④ X : Product color(A--Y)
Blank: Natural type
G: Blue
- ⑤ L: Lock TYPE
- ⑥ HF : Halogen Free



Specifications:
 Rated Voltage : 250V AC/DC
 Rated Current : 3A AC,DC
 Withstand Voltage :1000V AC/minute
 Contact Resistance : 30mΩ(MAX.)
 Insulation Resistance : 1000MΩ(MIN.)
 Temperature Range : -25°C~+85°C
 Contact: Brass/Tin-plated
 Material: Nylon 66,UL94V-0, Halogen Free
 The product using material and processing must conform to the "WI-PZ-142"HSF technical standard control requirements

Circuits	Dimensions		
	A	B	C
2P	--	7.50	5.80
3P	5.00	10.00	8.30
4P	7.50	12.50	10.80
5P	10.00	15.00	13.30
6P	12.50	17.50	15.80
7P	15.00	20.00	18.30
8P	17.50	22.50	20.80
9P	20.00	25.00	23.30
10P	22.50	27.50	25.80
11P	25.00	30.00	28.30
12P	27.50	32.50	30.80
13P	30.00	35.00	33.30
14P	32.50	37.50	35.80
15P	35.00	40.00	38.30

2~5P
SCALE 0.8:1



REV.	REVISION RECORD	DATE	GENERAL TOLERANCES		SCALE:	NAME	DATE	PART. NO: 12504W00-NP-L-HF
C0	新图面发行	13.07.22	LINEAR	ANGLES	1:1			
C1	变更公司名称	17.03.03	0.0±0.25	X° REF±6°	APPROVED			
C2	依开发单1812100257	18.12.13	0.00±0.15	X° ±3°	DESIGNER			
			0.000±0.08	X° X'±2°	DRAWN	罗春成	18.12.13	
JGTC® 胜蓝科技股份有限公司 TERMINAL&CONNECTORS 东莞市富智达电子科技有限公司								DWG. NO: ENDE05
TITLE: 2.50mm PITCH DIP TYPE 180° WAPER								REV: C2 SHEET: 1/1

1 2 3 4 5 6 7 8