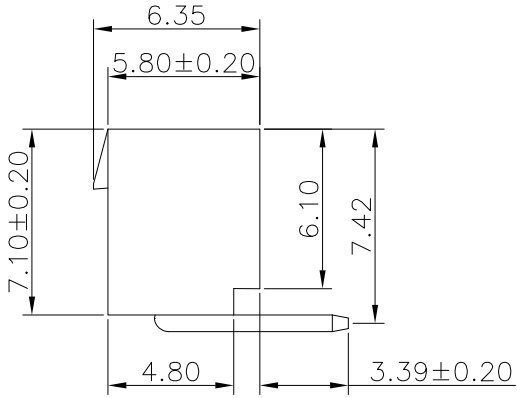
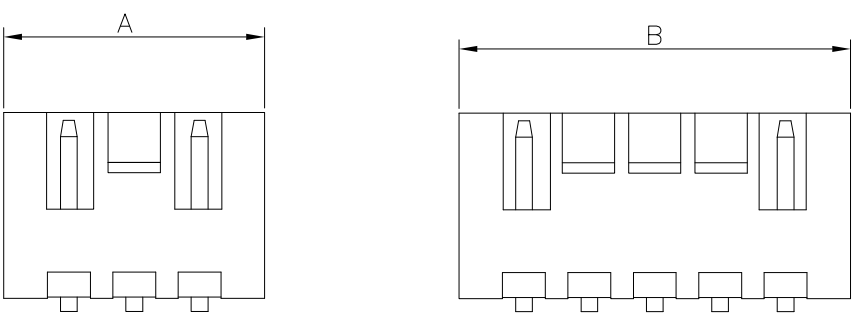


12504W90-NPX-L-HF-W1

- ① Series No.
- ② W90 : Side Contact
W00 : Up Contact
- ③ No. of Circuits
- ④ X : Product color(A--Y)
Blank: Natural type
G: Blue
- ⑤ L: Lock TYPE
- ⑥ HF : Halogen Free

Specifications:
 Rated Voltage : 250V AC/DC
 Rated Current : 3A AC,DC
 Withstand Voltage :1000V AC/minute
 Contact Resistance : 30mΩ(MAX.)
 Insulation Resistance : 1000MΩ(MIN.)
 Temperature Range : -25°C~+85°C
 Contact: Brass/Tin-plated
 Material: Nylon 66,UL94V-0, Halogen Free
 The product using material and processing must conform to the "WI-PZ-142"HSF technical standard control requirements



OrderingInformation&Dimensions

PART NO.	Dimensions	
	A	B.
2P	2.50	7.50
3P	5.00	10.00
4P	7.50	12.50
5P	10.00	15.00
6P	12.50	17.50
7P	15.00	20.00
8P	17.50	22.50
9P	20.00	25.00
10P	22.50	27.50
11P	25.00	30.00
12P	27.50	32.50
13P	30.00	35.00
14P	32.50	37.50
15P	35.00	40.00

REV.	REVISION RECORD	DATE		GENERAL TOLERANCES		SCALE: 1:1	NAME	DATE	胜蓝科技股份有限公司 TERMINAL&CONNECTORS 东莞市富智达电子科技有限公司	PART. NO: 12504W90-NP-L-HF-W1				
C0	新图面发行	13. 07. 22		LINEAR	ANGLES	APPROVED							DWG. NO: ENDE05	
C1	变更公司名称	17. 03. 03		0.0±0.25	X° REF±6°	DESIGNER							REV: C2 SHEET: 1/1	
C2	依开发单1812100257	18. 12. 13		0.00±0.15	X° ±3°	DRAWN				胡晓云	21. 8. 13	TITLE: 2.50mm PITCH DIP TYPE 90° WAFER		
C3	变更内框尺寸	21. 8. 13		0.000±0.08	X° X'±2°									