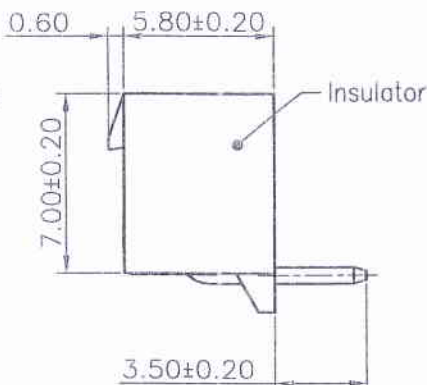
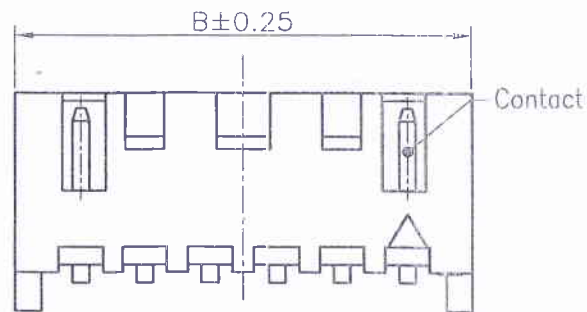
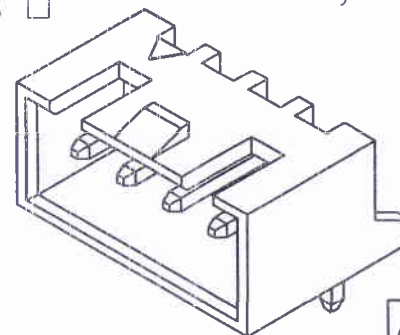
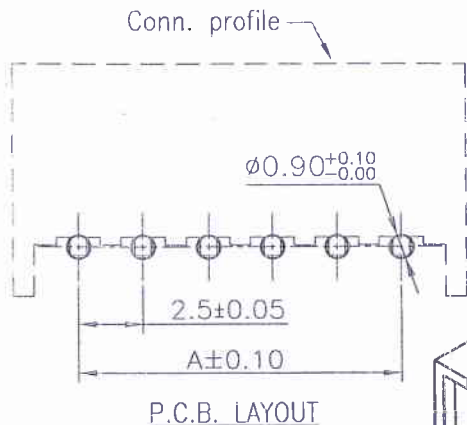
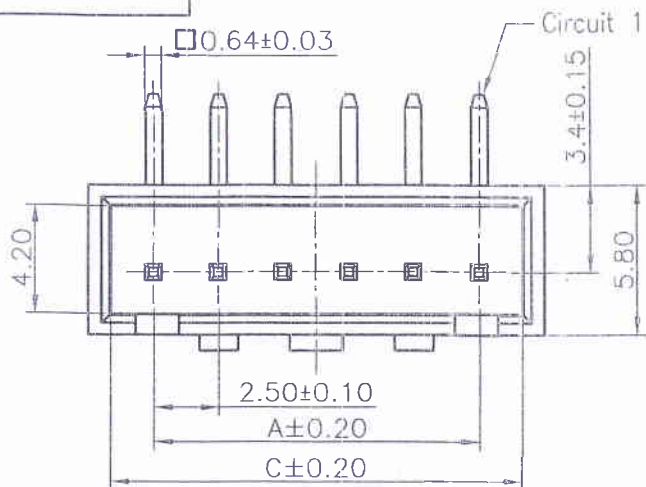


RoHS

Specifications:  
 Rated Voltage : 250V AC/DC  
 Rated Current : 3A AC,DC  
 Withstand Voltage :1000V AC/minute  
 Contact Resistance : 30mΩ(MAX.)  
 Insulation Resistance : 1000MΩ(MIN.)  
 Temperature Range : -25°C~+85°C  
 Contact: Brass/Tin-plated  
 Material: Nylon 66,UL94V-0, Halogen Free

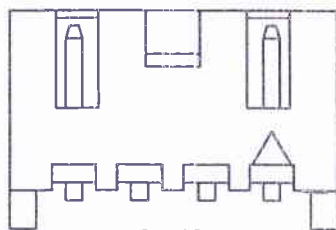


12504W90-NP X -L-HF  
 ① ② ③ ④ ⑤ ⑥

- ① Series No.
- ② W90 : Side Contact
- ③ No. of Circuits
- ④ X : Product color(A--Y)  
Blank : Natural type  
A : Black
- ⑤ L : Lock type
- ⑥ HF : Halogen Free

Circuits	Dimensions		
	A	B	C
2P	--	7.50	5.80
3P	5.00	10.00	8.30
4P	7.50	12.50	10.80
5P	10.00	15.00	13.30
6P	12.50	17.50	15.80
7P	15.00	20.00	18.30
8P	17.50	22.50	20.80
9P	20.00	25.00	23.30
10P	22.50	27.50	25.80
11P	25.00	30.00	28.30
12P	27.50	32.50	30.80
13P	30.00	35.00	33.30
14P	32.50	37.50	35.80
15P	35.00	40.00	38.30

6~15P



2~5P



REV.	REVISION RECORD	DATE	GENERAL TOLERANCES	SCALE	NAME	DATE	JCTC® 胜蓝科技股份有限公司 TERMINAL&CONNECTORS 东莞市富智达电子科技有限公司	PART. NO:
C0	新图面发行	13. 01. 31	LINEAR	1:1				
C1	新增黑色规格	16. 05. 11	0.0±0.25	ANGLES	APPROVED	17.05.27		DWG. NO:
C2	更新公司名称	17. 05. 27	0.00±0.15	X° REF±6°	DESIGNER	17.05.27		ENDE05
			0.00±0.08	X° X'±2°	DRAWN	伍文聪	17.05.27	REV: C2 SHEET: 1/1
								TITLE: 2.50mm PITCH DIP TYPE 90° WAFER