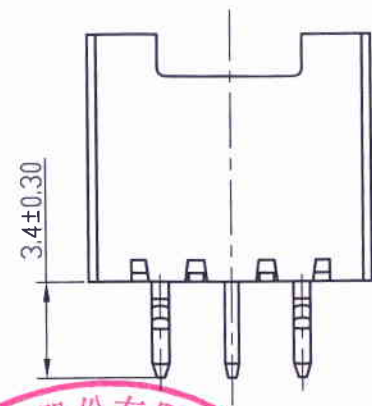
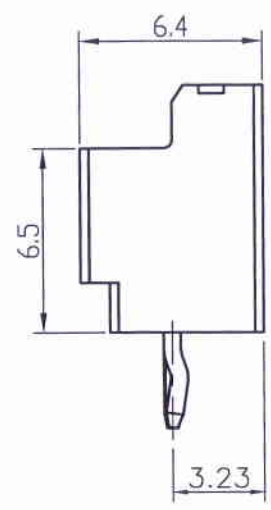
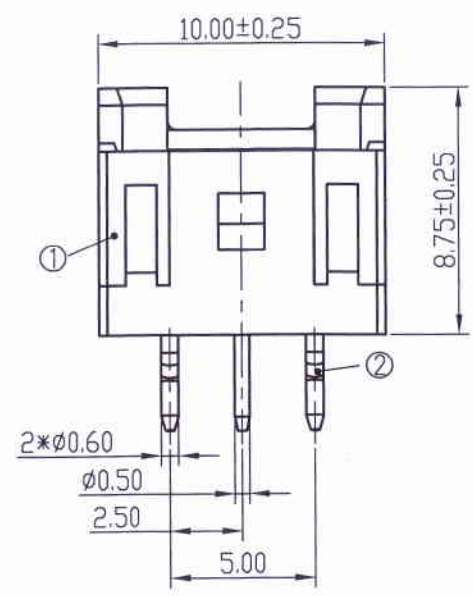
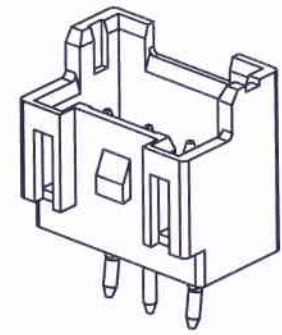
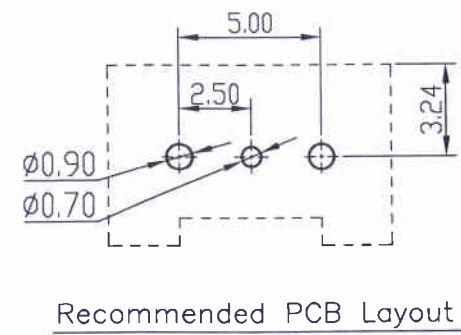
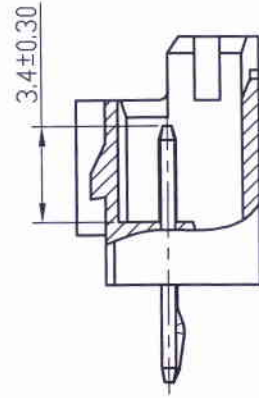
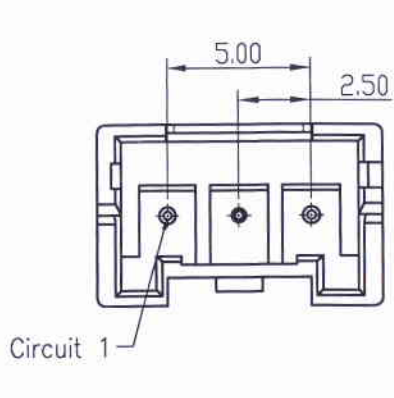


环保物料



12505W00-3P-A-HF
① ② ③ ④

- ① Series No.
- ② W00 : Up Contact
- ③ No. of Circuits
- ④ HF : Halogen Free

Specifications:
 Voltage Rating : 250V AC/DC
 Current Rating : 3A AC,DC
 Withstand Voltage : 1000V AC/minute
 Contact Resistance : 30mΩ(MAX.)
 Insulation Resistance : 1000MΩ(MIN.)
 Temperature Range : -25°C~+85°C
 Circuit 1/3 : φ0.60
 Circuit 2 : φ0.50



No	Description	Material	Color
1	Insulator	Nylon 66, UL94V-0	Natural(White)
2	Contact	Brass/ Tin-plated	--

REV.	REVISION RECORD	DATE	GENERAL TOLERANCES	SCALE:	NAME	DATE	TITLE:	PART. NO.:
A0	新图面发行	15. 04. 09	LINEAR	1:1			JCTC® 胜蓝科技股份有限公司 TERMINAL&CONNECTORS 东莞市富智达电子科技有限公司	12505W00-3P-A-HF
A1	更新公司名称	17. 04. 07	0.0±0.25	APPROVED				DWG. NO.:
			0.0±0.15	DESIGNER				ENDE05
			0.000±0.08	DRAWN	伍文聪	17.04.28		REV: A1 SHEET: 1/1
							2.50mm Pitch Wafer Dip Type	