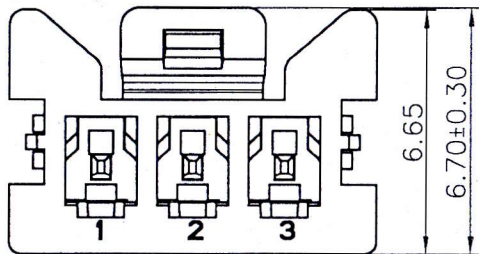


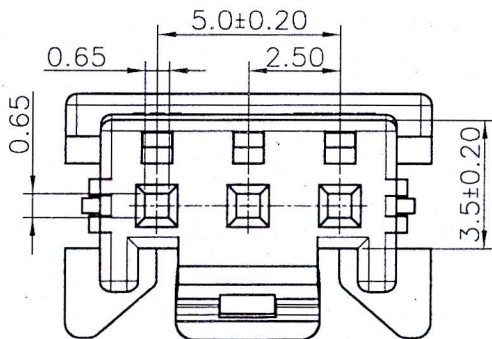
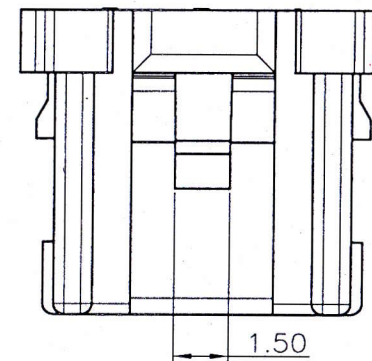
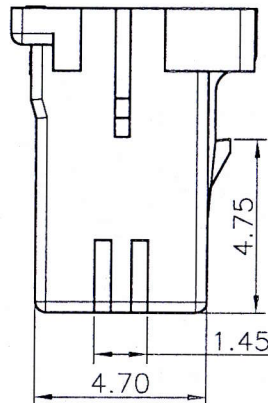
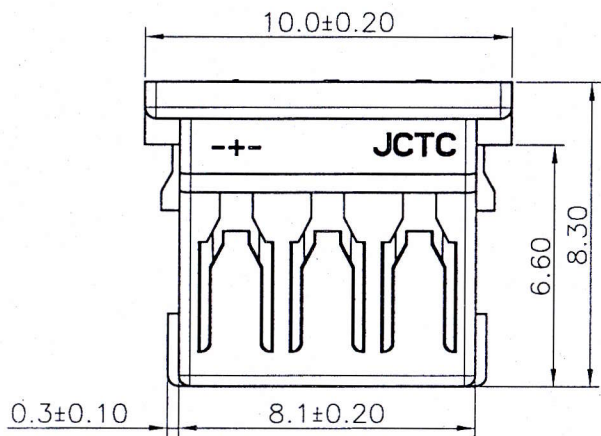
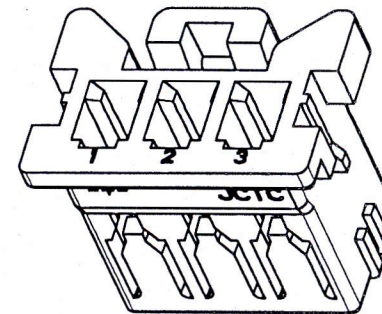
环保物料



12506H00-NPX-L-HF

① ② ③④⑤⑥

- ① Series No.
- ② H00 : Up Contact
- ③ No. of Circuits
- ④ X : Product color(A--Y)
M : Beige
- ⑤ L: With Lock
- ⑥ HF: Halogen Free



Specifications:

Rated Voltage : 50V AC/DC
 Rated Current : 2.5A AC,DC
 Withstand Voltage : 1100V AC/minute
 Contact Resistance : 20mΩ(MAX.)
 Insulation Resistance : 500MΩ(MIN.)
 Temperature Range : -25°C~+85°C



Part No.	Material	Color
12506H00-3PM-L-HF	Nylon 66,UL94V-0	Beige

REV.	REVISION RECORD	DATE	GENERAL TOLERANCES	SCALE:	NAME	DATE	JCTC®	PART. NO:
CO	新图面发行	14.10.31	LINEAR	1:1	伍文聪	14.10.31		
			0.0±0.25	APPROVED	伍文聪	14.10.31	DWG. NO:	
			0.00±0.15	DESIGNER	伍文聪	14.10.31	TITLE:	ENDE05
			0.000±0.08	DRAWN	伍文聪	14.10.31		REV: CO SHEET: 1/1