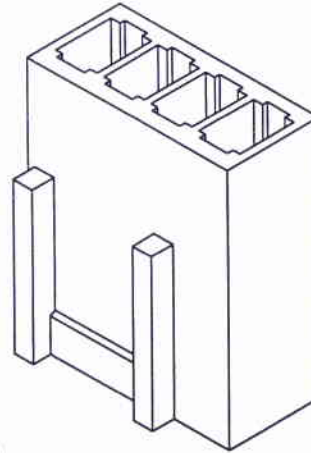
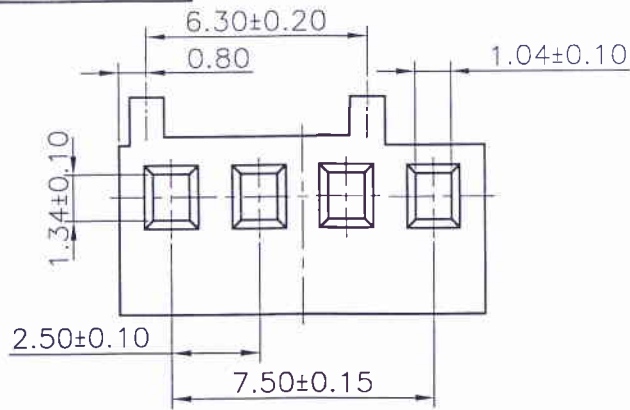


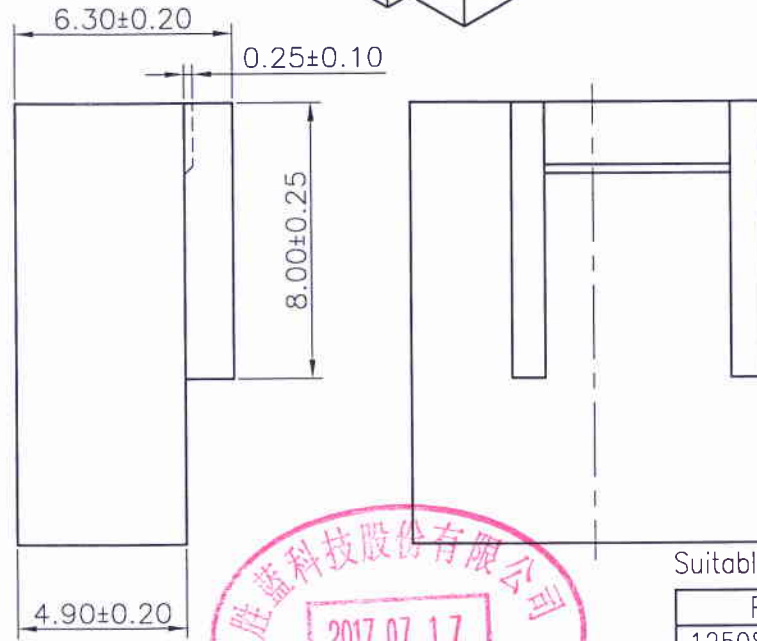
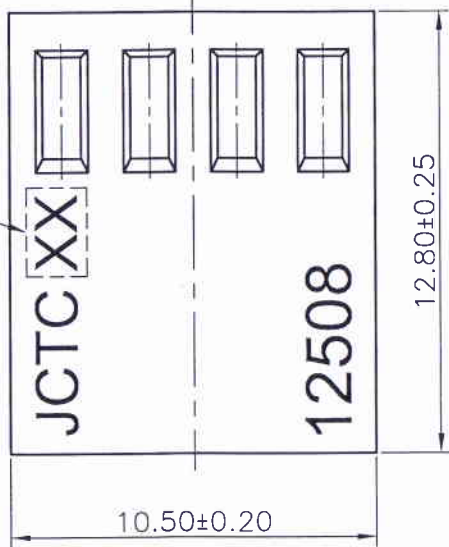
RoHS



Specifications:

Rated Voltage : 250V AC/DC
 Rated Current : 2.5A AC,DC
 Withstand Voltage : 1500V AC/minute
 Contact Resistance : 20mΩ(MAX.)
 Insulation Resistance : 1000MΩ(MIN.)
 Temperature Range : -25°C~+85°C
 Pitch Between Poles : 2.50mm

XX : 模穴号



12508H00-NPX-A

① ② ③④⑤

- ① Series No.
- ② H90 : Side Contact
H00 : Up Contact
- ③ No. of Circuits
- ④ X : Product color(A--Y)
Blank: Natural type
- ⑤ A : Mount type

Suitable for JCTC 12543 series terminal

Part No.	Material	Color
12508H00-4PA-A	Nylon66,UL 94V-0	黑色
12508H00-4PB-A	Nylon66,UL 94V-0	棕色
12508H00-4PK-A	Nylon66,UL 94V-0	白色
12508H00-4PM-A	Nylon66,UL 94V-0	米黄色



REV.	REVISION RECORD	DATE	GENERAL TOLERANCES	SCALE:	NAME	DATE	JCTC® 胜蓝科技股份有限公司 TERMINAL&CONNECTORS 东莞市富智达电子科技有限公司	PART. NO: 12508H00-NPX-A
C0	新图面发行	09.12.12	L: LINEAR	1:1				
C1	更新公司名称	17.03.20	ANGLES	APPROVED	伍文聪	17.07.15	REV: C1 SHEET: 1/1	
			0.0±0.25 X° REF±6°	DESIGNER	伍文聪	17.07.15		TITLE: 2.50mm PITCH HOUSING
			UNIT: MM 0.00±0.15 X° ±3°	DRAWN	伍文聪	17.03.20		
			SIZE: A4 0.000±0.08 X° X'±2°					