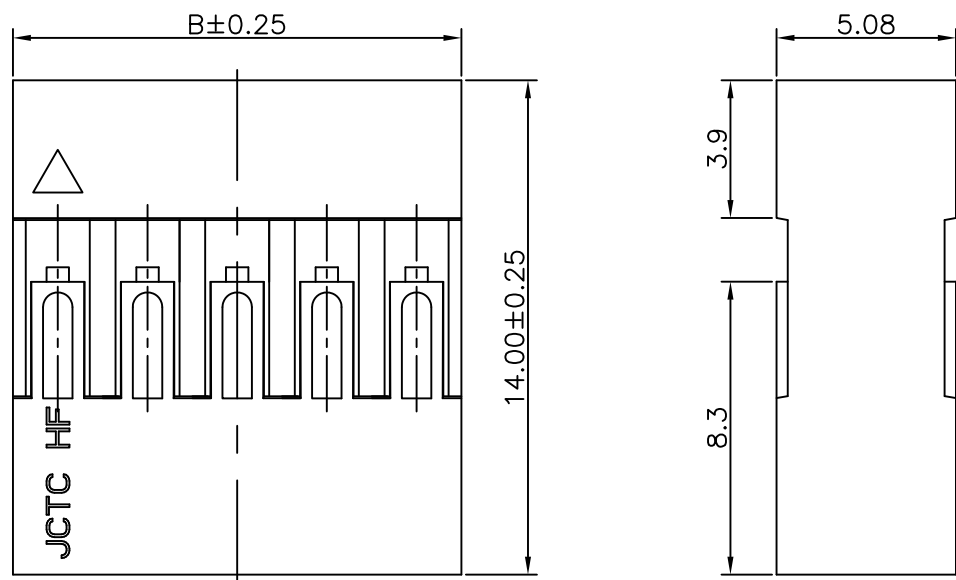


12541H00-2xNPA-HF
① ② ③ ④ ⑤

- ① Series No.
- ② H90 : Side Contact
H00 : Up Contact
- ③ No. of Circuits
- ④ A : Product color(A--Y)
Blank : Natural type
- ⑤ HF : Halogen Free

Circuits Part No	Dimensions	
	A	B
2X2P	---	5.08
2X3P	5.08	7.62
2X4P	7.62	10.16
2X5P	10.16	12.70
2X6P	12.70	15.24
2X7P	15.24	17.78
2X8P	17.78	20.32
2X9P	20.32	22.86
2X10P	22.86	25.40
2X11P	25.40	27.94
2X12P	27.94	30.48
2X13P	30.48	33.02
2X14P	33.02	35.56
2X15P	35.56	38.10
2X16P	38.10	40.64
2X17P	40.64	43.18
2X18P	43.18	45.72
2X19P	45.72	48.26
2X20P	48.26	50.80



Specifications:
 Rated Voltage : 250V AC/DC
 Rated Current : 3A AC,DC
 Withstand Voltage : 800V AC/minute
 Contact Resistance : 20mΩ(MAX.)
 Insulation Resistance : 1000MΩ(MIN.)
 Temperature Range : -25°C~+85°C
 Pitch Between Poles : 2.54mm
 The product using material and processing must conform to the "WI-PZ-142" HSF technical standard control requirements

Suitable for JCTC 12541 series terminal

Part No.	Material	Color
12541H00-2xNP	PBT,UL 94V-0	本色无卤
12541H00-2xNPA	PBT,UL 94V-0	黑色无卤

REV.	REVISION RECORD	DATE		GENERAL TOLERANCES		SCALE: 1:1	NAME	DATE	PART. NO: 12541H00-2xNPX	DWG. NO: ENDE05	 TERMINAL&CONNECTORS	
C0	新图面发行	20.03.06		LINEAR	ANGLES	APPROVED						
			0.0±0.25	X° REF±6°	DESIGNER				TITLE: DB 双排 2.54mm PITCH HOUSING			
			UNIT: MM	X° ±3°	DRAWN	伍文聰	20.03.06					
			SIZE: A4	0.000±0.08	X° X'±2°						REV: A0	SHEET: 1/1