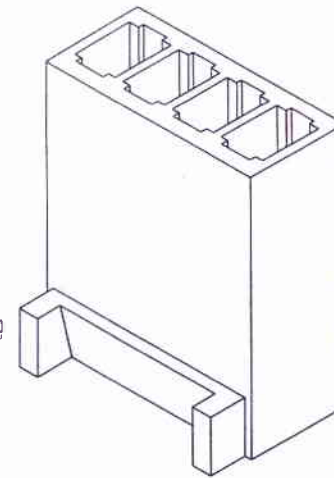


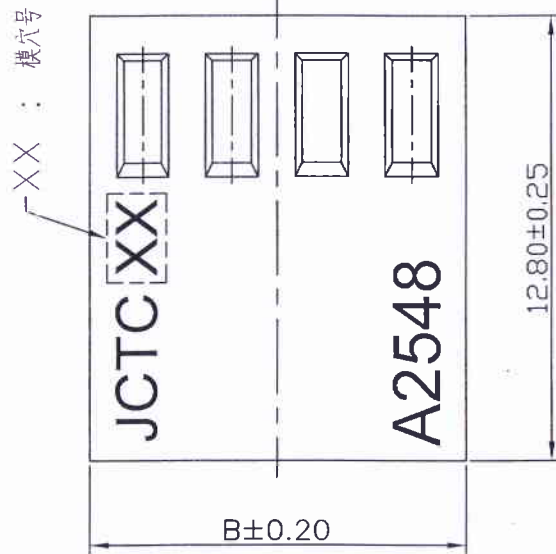
Specifications:

Rated Voltage : 250V AC/DC
 Rated Current : 2.5A AC,DC
 Withstand Voltage : 1500V AC/minute
 Contact Resistance : 20mΩ(MAX.)
 Insulation Resistance : 1000MΩ(MIN.)
 Temperature Range : -25°C~+85°C
 Pitch Between Poles : 2.54mm

The product using material and processing must conform to the "WI-PZ-142"HSF technical standard control requirements



Circuits Part No	Dimensions	
	A	B
2P	2.54	5.60
3P	5.08	8.14
4P	7.62	10.68
5P	10.16	13.22
6P	12.70	15.76
7P	15.24	18.30
8P	17.78	20.84
9P	20.32	23.38
10P	22.86	25.92
11P	25.40	28.46
12P	27.94	31.00
13P	30.48	33.54
14P	33.02	36.08
15P	35.56	38.62
16P	38.10	41.16
17P	40.64	43.70
18P	43.18	46.24
19P	45.72	48.78
20P	48.26	51.32



12548BH00-NPX-HF

① ② ③ ④ ⑤

- ① Series No.
- ② H90 : Side Contact
H00 : Up Contact
- ③ No. of Circuits
- ④ X : Product color(A--Y)
Blank: Natural type
- ⑤ HF : Halogen Free



Part No.	Material	Color
12548BH00-NPB-HF	Nylon66,UL 94V-0	黑色
12548BH00-NPK-HF	Nylon66,UL 94V-0	白色

REV.	REVISION RECORD	DATE	GENERAL TOLERANCES	SCALE:	NAME	DATE	PART NO: 12548BH00-NPX-HF
CO	新图面发行	17.01.30	LINER 0.0±0.25	1:1	APPROVED	18.01.30	
			ANGLES X° REF±6°		DESIGNER	18.01.30	REV: CO SHEET: 1/1
			UNIT: MM 0.00±0.15		DRAWN	罗春成	TITLE: 2.54mm PITCH HOUSING
			SIZE: A4 0.000±0.08				

JCTC® 胜蓝科技股份有限公司
 TERMINAL&CONNECTORS 东莞市富智达电子科技有限公司