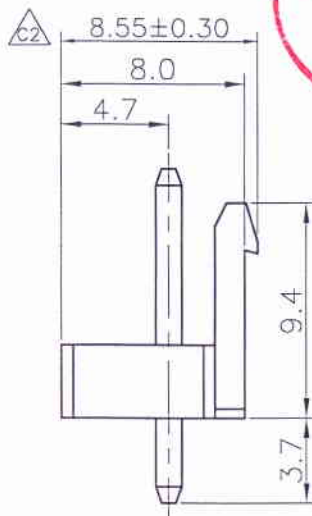
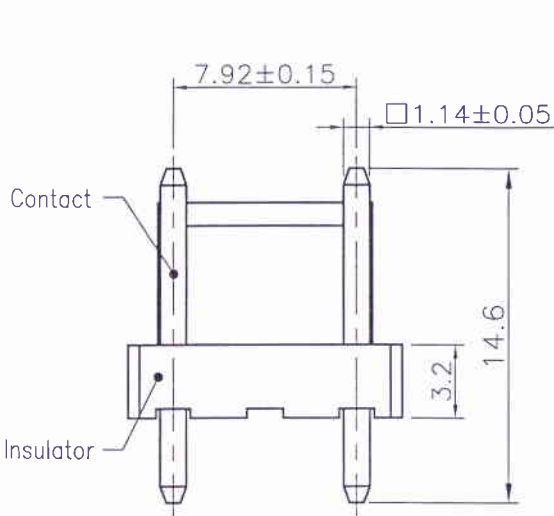
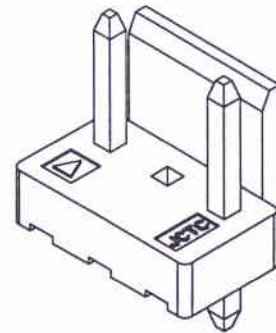


Recommended P.C.B Layout



Specifications:
 Rated Voltage : 250V AC/DC
 Rated Current : 10A AC,DC
 Withstand Voltage : 1500V AC/minute
 Contact Resistance : 10mΩ(MAX.)
 Insulation Resistance : 1000MΩ(MIN.)
 Temperature Range : -25°C~+85°C
 Contact: Brass/Tin-plated
 Material: Nylon 66,UL94V-0 Halogen Free
 The product using material and processing must conform to the "WI-PZ-142"HSF technical standard control requirements

Part No.	Material	Color
13962W00-3P-HF-001	Nylon66,UL94V-0 Brass/Tin plated	white
13962W00-3PA-HF-001	Nylon66,UL94V-0 Brass/Tin plated	black
13962W00-3PC-HF-001	Nylon66,UL94V-0 Brass/Tin plated	red
13962W00-3PE-HF-001	Nylon66,UL94V-0 Brass/Tin plated	yellow
13962W00-3PF-HF-001	Nylon66,UL94V-0 Brass/Tin plated	green
13962W00-3PG-HF-001	Nylon66,UL94V-0 Brass/Tin plated	blue

REV.	REVISION RECORD	DATE	GENERAL TOLERANCES	SCALE:	NAME	DATE
C0	新图面发行	13.11.11	LINEAR	1:1		
C1	新增红色、黄色、绿色、黑色规格	14.05.08	0.0±0.25	APPROVED		
C2	修改卡扣结构	15.05.13	0.00±0.15	DESIGNER		
C3	变更公司名称	17.05.15	0.00±0.15	DRAWN		

JCTC ® 胜蓝科技股份有限公司		PART NO:	
TERMINAL&CONNECTORS 东莞市富智达电子科技有限公司		13962W00-3PX-HF-001	
TITLE:		DWG. NO:	
3.96mm Pitch Dip Type 180° Wafer		ENDE05	
REV:	C3	SHEET:	1/1