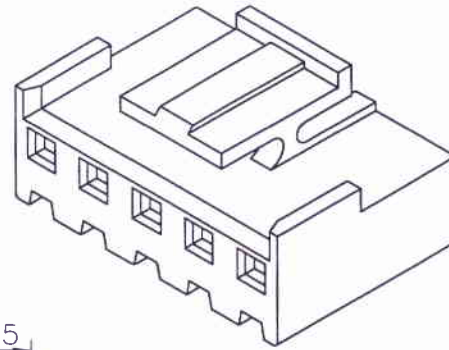
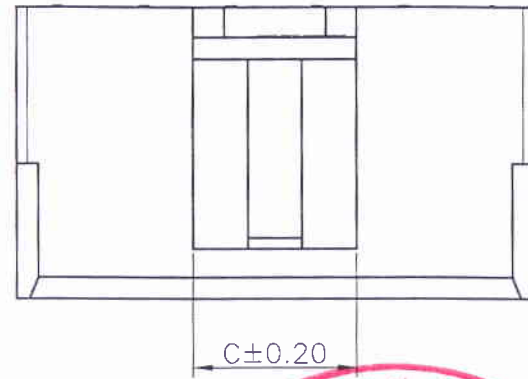
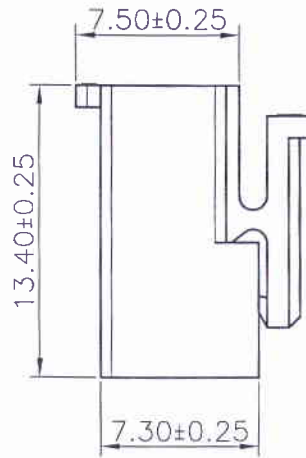
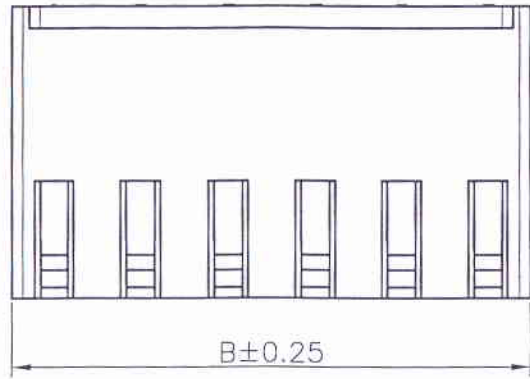


Circuit 1

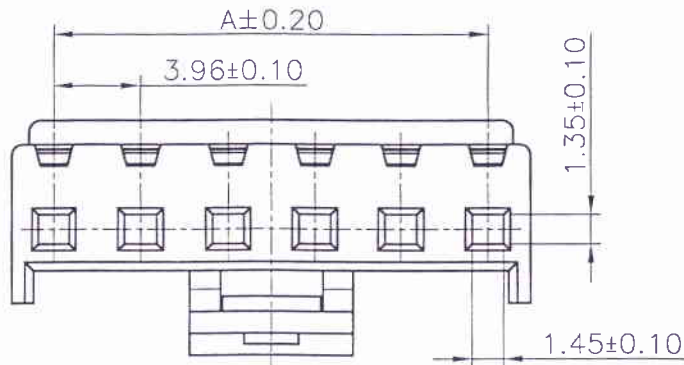


SPECIFICATIONS

Current Rating: 7A AC,DC
 Voltage Rating: 250V AC,DC
 Temperature Range: -25°C ~ +85°C
 Contact Resistance: 10mΩ Max.
 Insulation Resistance: 1000MΩ Min.
 Withstanding Voltage: 1500V AC/minute
 The product using material and processing must conform to the "WI-PZ-142" HSF technical standard control requirements



Circuit No.	Dimensions		
	A	B	C
2P	--	7.86	3.60
3P	7.92	11.82	7.60
4P	11.88	15.78	
5P	15.84	19.74	
6P	19.80	23.70	
7P	23.76	27.66	
8P	27.72	31.62	
9P	31.68	35.58	
10P	35.64	39.54	
11P	39.60	43.50	
12P	43.56	47.46	
13P	47.52	51.42	
14P	51.48	55.38	
15P	55.44	59.34	
16P	59.40	63.30	



13962H00-NPX-HF

① ② ③④ ⑤

- ① Series No.
- ② H90 : Side Contact
H00 : Up Contact
- ③ No. of Circuits
- ④ A : Product color(A--Y)
Blank: Natural type
- ⑤ HF: Halogen Free



Suitable for JCTC 13962 series terminal

Part No.	Material	Color
13962H00-NP-HF	Nylon 66,UL94V-0	Natural(White)
13962H00-NPE-HF	Nylon 66,UL94V-0	Yellow

REV.	REVISION RECORD	DATE	GENERAL TOLERANCES	SCALE:	NAME	DATE	JCTC ® 胜蓝科技股份有限公司 TERMINAL&CONNECTORS 东莞市富智达电子科技有限公司	PART NO:
C0	新图面发行	13.03.05	LINEAR	1:1				13962H00-NPX-HF
C1	新增黄色规格	13.12.04	C.0 ±0.25	APPROVED	伍文聪	18-08-14		DWG. NO:
C2	变更公司名称	18.08.14	0.00 ±0.15	DESIGNER	伍文聪	18-08-14		ENDE05
			UNIT: MM	DRAWN	伍文聪	18.08.14	TITLE:	REV: C2
			SIZE: A4				VH 3.96mm PITCH HOUSING	SHEET: 1/1