

1 2 3 4 5 6 7 8

A

A

B

B

C

C

D

D

E

E

F

F

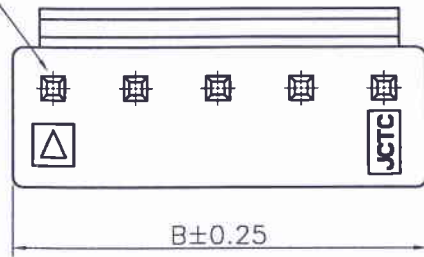
G

G

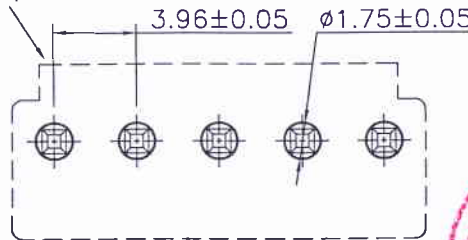
H

H

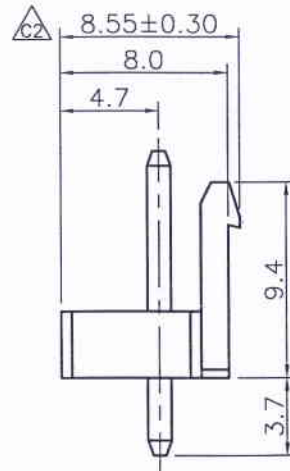
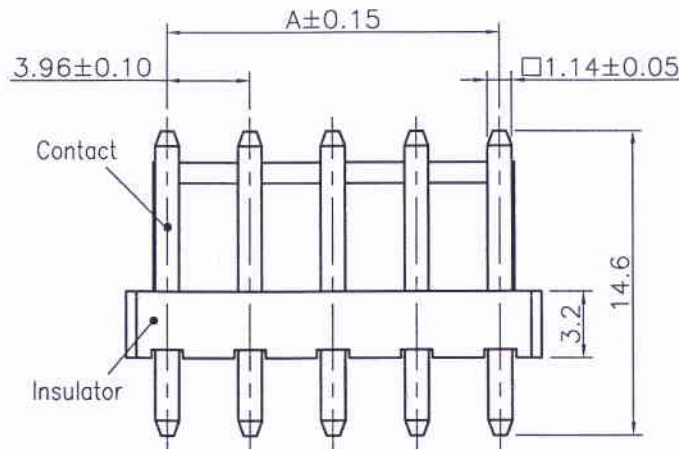
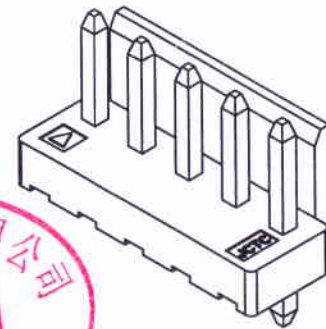
Circuit 1



Conn. profile



Recommended P.C.B Layout



Specifications:

Rated Voltage : 250V AC/DC
 Rated Current : 10A AC,DC
 Withstand Voltage : 1500V AC/minute
 Contact Resistance : 10mΩ(MAX.)
 Insulation Resistance : 1000MΩ(MIN.)
 Temperature Range : -25°C~+85°C
 Contact: Brass/Tin-plated
 Material: Nylon 66,UL94V-0 Halogen Free
 The product using material and processing must conform to the "WI-PZ-142"HSF technical standard control requirements

Circuit	Dimensions	
	A	B
2P	--	7.92
3P	7.92	11.88
4P	11.88	15.84
5P	15.84	19.80
6P	19.80	23.76
7P	23.76	27.72
8P	27.72	31.68
9P	31.68	35.64
10P	35.64	39.60
11P	39.60	43.56
12P	43.56	47.52
13P	47.52	51.48
14P	51.48	55.44
15P	55.44	59.40

Part No.	Material	Color
13962W00-NP-HF	Nylon66,UL94V-0 Brass/Tin plated	白色
13962W00-NPA-HF	Nylon66,UL94V-0 Brass/Tin plated	黑色
13962W00-NPC-HF	Nylon66,UL94V-0 Brass/Tin plated	红色
13962W00-NPE-HF	Nylon66,UL94V-0 Brass/Tin plated	黄色
13962W00-NPF-HF	Nylon66,UL94V-0 Brass/Tin plated	绿色
13962W00-NPG-HF	Nylon66,UL94V-0 Brass/Tin plated	蓝色

REV.	REVISION RECORD	DATE	GENERAL TOLERANCES	SCALE:	NAME	DATE	JCTC 胜蓝科技股份有限公司 TERMINAL&CONNECTORS 东莞市富智达电子科技有限公司 TITLE: 3.96mm Pitch Dip Type 180° Wafer	PART. NO.:
C0	新图面发行	13.04.15	L: LINEAR	1:1				13962W00-NP-HF
C1	新增红色、黄色、绿色、黑色规格	14.05.08	A: ANGLES	APPROVED				DWG. NO.:
C2	修改卡扣结构	15.05.13	0.0±0.25 X° REF±6°	DESIGNER	伍文聪	17.06.23		ENDE05
C3	更新公司名称	17.06.23	0.00±0.15 X° ±3°	DRAWN	伍文聪	17.06.23		REV: C3 SHEET: 1/1

1 2 3 4 5 6 7 8